



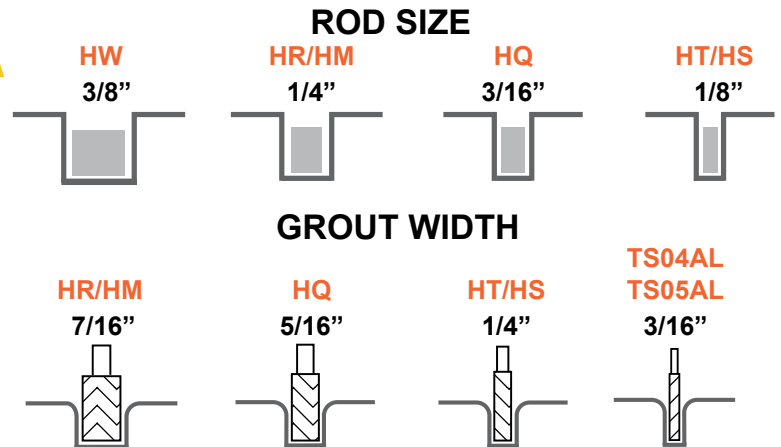
ALPHA
HOT-ROD



HOT-ROD



CHANNELING
CUTTING
MADE EASY



- Perfect for Channel Cutting with Stone Cutter
- Great for Grout Removal with Ecocutter
- Fabricator's Choice for Rodding on Granite
- Reliable Proven Performer
- Can Be Used Wet or Dry

PART NO.	SIZE	MAXIMUM RPM	ARBOR(S)	RECOMMENDED FOR	FOR USE ON
HT03A+	3"	14,500	7/8", 20mm	1/8" Rod	GRANITE
HQ03A+	3"	14,500	7/8", 20mm	3/16" Rod	GRANITE
HR03A+	3"	14,500	7/8", 20mm	1/4" Rod	GRANITE
HW03A+	3"	14,500	7/8"	3/8" Threaded Rod	GRANITE
HS03A+	3"	14,500	7/8", 20mm	1/8" Rod	MARBLE/CRYSTALLIZED GLASS
HM03A+	3"	14,500	7/8", 20mm	1/4" Rod	MARBLE/CRYSTALLIZED GLASS
HT04A+	4"	14,500	7/8", 20mm	1/8" Rod	GRANITE
HR04A+	4"	14,500	7/8", 20mm	1/4" Rod	GRANITE

Alpha Professional Tools®

103 Bauer Drive, Oakland, NJ 07436 • 800-648-7229 • Fax: 800-286-0114
www.alpha-tools.com