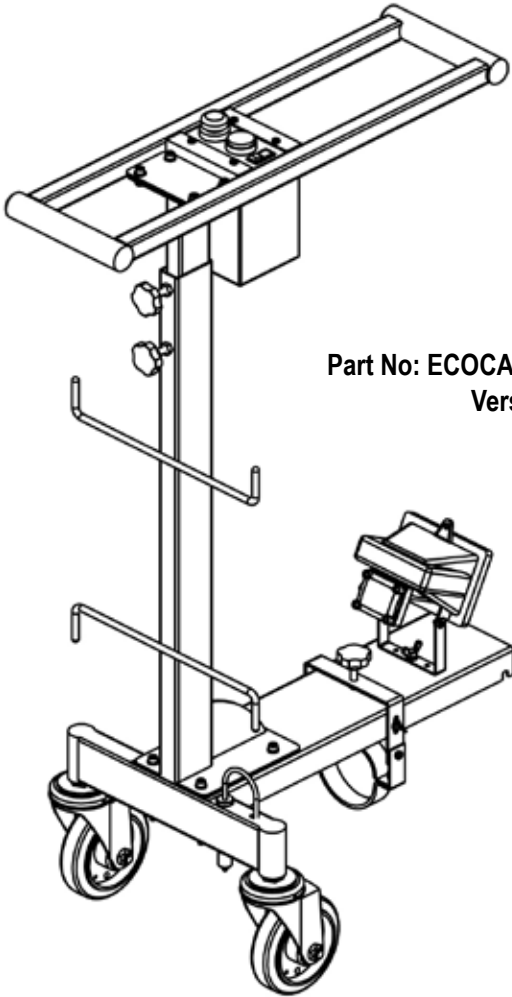


Alpha[®] Eco grinder Caddy Instruction Manual



Part No: ECOCAD125/ECOCAD225
Version 2

TABLE OF CONTENTS

Introduction.....	3
About the Symbols	3
Safety Instructions	3
Ecogrinder Caddy Overview.....	5
Required Tools Needed to Assemble the Ecogrinder Caddy.....	5
Main Components for the Ecogrinder Caddy	6
Assembly of the Ecogrinder Caddy	7
Optional Accessories	
Ecogrinder Overview.....	13
Specifications.....	13
General Safety Rules.....	14
Electrical Safety	14
Use Proper Extension Cords	14
Grounding Instructions.....	15
Ecogrinder Operation.....	15
Main Connection.....	15
Switching ON and OFF	15
Attaching The Ecogrinder to the Caddy	16
Dust Bag Carriage Assembly	18
Dust Bag and Accessories	18
Attaching the Dust Bag	19
Attaching the Dust Hose to the Ecogrinder.....	20
Ecogrinder Caddy Operation.....	21
Ecogrinder Caddy Schematic.....	22
Ecogrinder Caddy Parts List.....	23

INTRODUCTION


Thank you for purchasing the Alpha® Ecogrinder Caddy. The Ecogrinder Caddy is a stand-up grinder caddy for ecogrinders. To ensure correct use, read this Instruction Manual and the Instruction Manual for the power tool and follow the operating instructions. Keep this manual in a place where operators can access it easily whenever necessary!

► ABOUT THE SYMBOLS

According to the hazard level, all safety notes in this manual are classified into “DANGER”, “WARNING”, and “CAUTION”.

 **DANGER!** Death or serious personal injury is imminent when handling this polisher incorrectly.

 **WARNING!** There is a possibility of death or serious personal injury when handling this polisher incorrectly.

 **CAUTION!** There is a possibility of personal injury or property damage when handling this polisher incorrectly.

Note: In some situations, failing to observe **WARNING** notes could result in death or serious personal injury. Be sure to read and observe the safety notes to ensure safety and correct use of the polisher.

► SAFETY INSTRUCTIONS

Read all these instructions before attempting to operate this product.

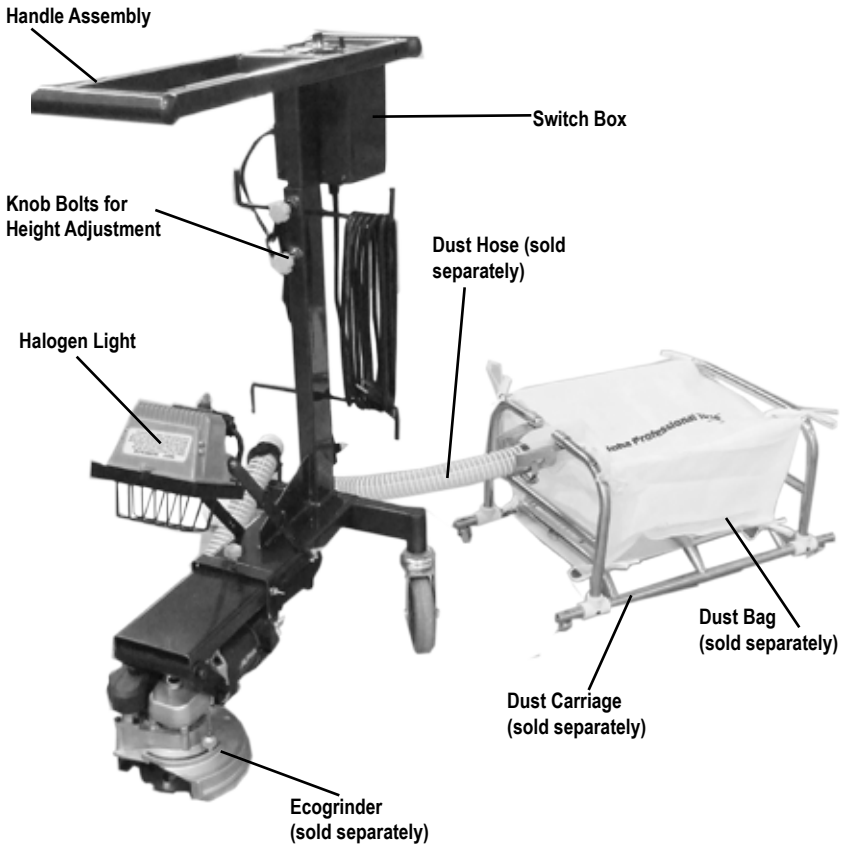
 **WARNING!**

When using electric tools, basic safety precautions should always be followed to reduce the risk of fire, electric shock, and personal injury, including the following. For Safe Operation

1. **Keep work area clean**
Cluttered areas invite injuries.
2. **Consider work area environment**
Do not expose power tools to rain. Do not use power tools in damp or wet locations without GFCI protection. Keep work areas well lit. Do not use the tool in presence of flammable liquids or gases.
3. **Guard against electric shock**
Prevent body contact with grounded surfaces. For example: pipes, radiators, ranges, and refrigerator enclosures; use grounded outlets.

4. **Keep children and visitors away**
Do not let visitors contact tool or extension cord. All visitors should be kept away from work area. Keep out of reach of children.
5. **Tool Storage**
When not in use, tools should be stored in a secure dry location. A locked storage area or high shelf out of children's reach is ideal.
6. **Dress properly**
Do not wear loose clothing or jewelry. Items such as these can be caught in moving parts. Rubber gloves and non-skid footwear are recommended when working outdoors. Wear protective hair covering to contain long hair.
7. **Use safety equipment**
Always wear safety glasses and if necessary, a face shield, dust mask and hearing protection.
8. **Do not abuse the electrical cord**
Never carry the tool by the electrical cord or pull it to disconnect from receptacle. Keep the electrical cord away from heat, oil and sharp edges.
9. **Do not overreach**
Keep proper footing and balance at all times.
10. **Disconnect tools**
Disconnect the tool from the power supply when not in use, before servicing, and when changing accessories, such as blades, bits, cutters.
11. **Avoid unintentional starting**
Do not carry a plugged-in tool with finger on switch. Be sure the switch is off when plugging in.
12. **Outdoor use extension cords**
When tool is used outdoors, use only extension cords intended for use outdoors and so marked.
13. **Stay alert**
Use caution and do not operate tool when you are tired or on medication.
14. **Check for damaged parts**
Before using the tool each day, a guard or other part that is damaged should be carefully checked to determine that it will operate properly and perform its intended function. Check for alignment of moving parts, breakage of parts, mounting, and any other conditions that may affect its operation. A guard or other part that is damaged should be properly repaired or replaced by an authorized service center unless otherwise indicated elsewhere in this instruction manual. Have defective switches replaced by authorized service center. Do not use the tool if it cannot be turned on and off by the switch.
15. **Warning**
The use of any other accessory or attachment other than recommended in this instruction manual or the catalog may present a risk of personal injury and could void the warranty.
16. **Only qualified technicians should repair this tool**
This electric tool is manufactured in accordance with the standard safety rules. Only experts may carry out the repair of electric tools; otherwise, it may cause considerable danger for the operator.

ECOGRINDER CADDY (ECOCAD125/ECOCAD225) OVERVIEW



► REQUIRED TOOLS NEEDED TO ASSEMBLE THE ECOGRINDER CADDY

Box End Wrench



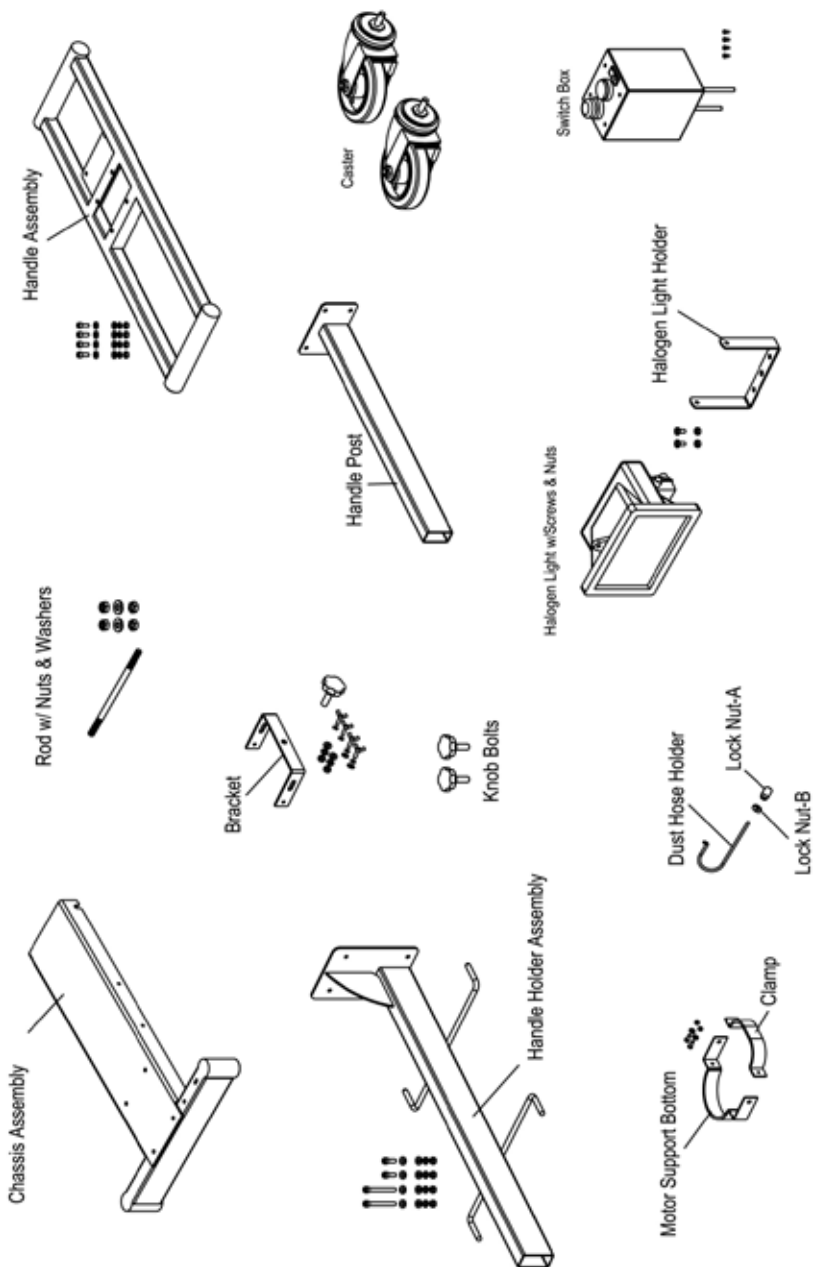
Spanner



Hex. Wrench

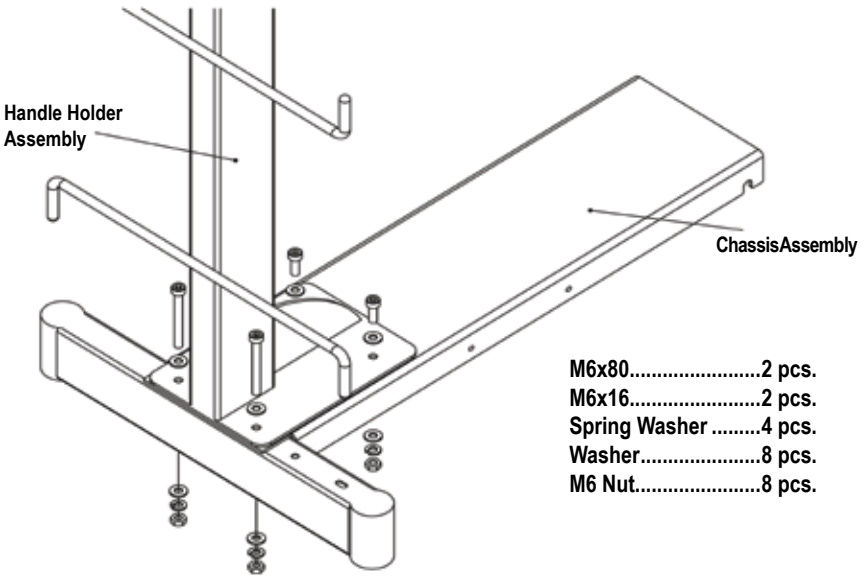


MAIN COMPONENTS FOR THE ECOGRINDER CADDY (ECOCAD125)



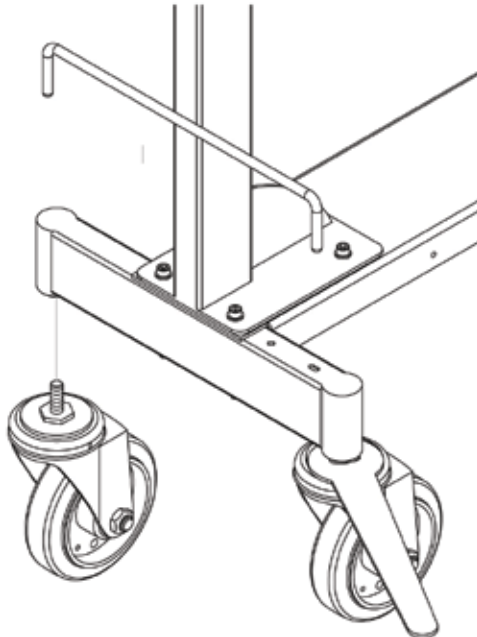
ASSEMBLY OF ECOGRINDER CADDY (ECOCAD125)

► STEP 1



Connect the Chassis Assembly and the Handle Holder Assembly with the supplied M6 Bolt & Nut sets. Use the Allen Wrench and Spanner to tighten.

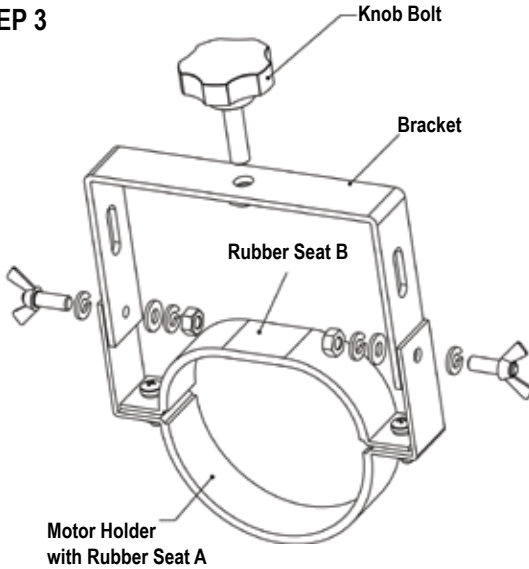
► STEP 2



Install the Casters by using the supplied Wrench.

Assembly of Ecogrinder Caddy cont'd

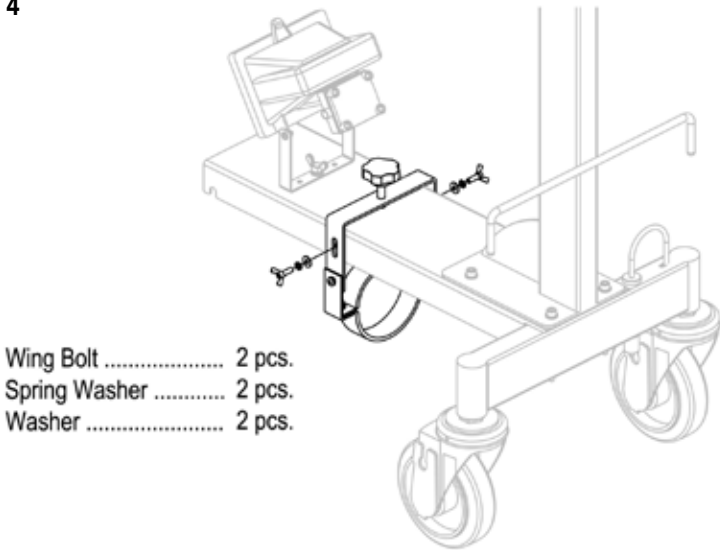
► STEP 3



Wing Bolt.....2 pcs.
Spring Washer4 pcs.
Washer.....2 pcs.
M6 Nut.....2 pcs.
Knob Bolt1 pc.

Assemble Motor Support by using the Rubber Seat B, the Motor Holder with Rubber Seat A, the Bracket and the supplied Wing Bolt sets. Attach the Knob Bolt on the Bracket.

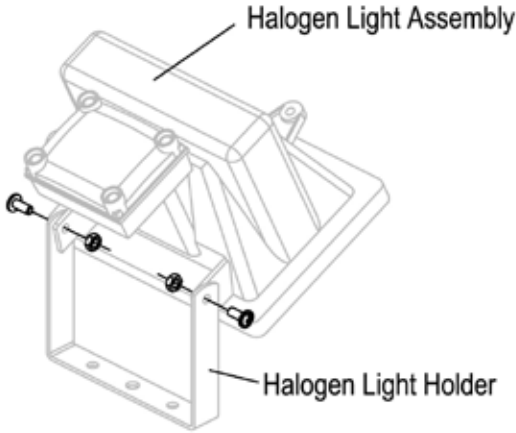
► STEP 4



Install Motor Support Assembly to Chassis Assembly by using supplied Wing Bolt Sets.

Assembly of Ecogrinder Caddy cont'd

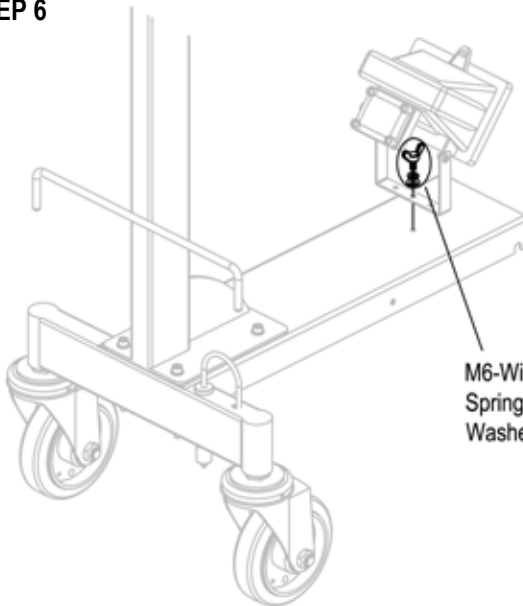
► STEP 5



- M4 x 10 2 pcs.
- M4-Nut 2 pcs.

Create the Halogen Light Assembly by attaching Halogen Light Holder to the Halogen Light with the supplied M4 Bolt & Nut sets.

► STEP 6



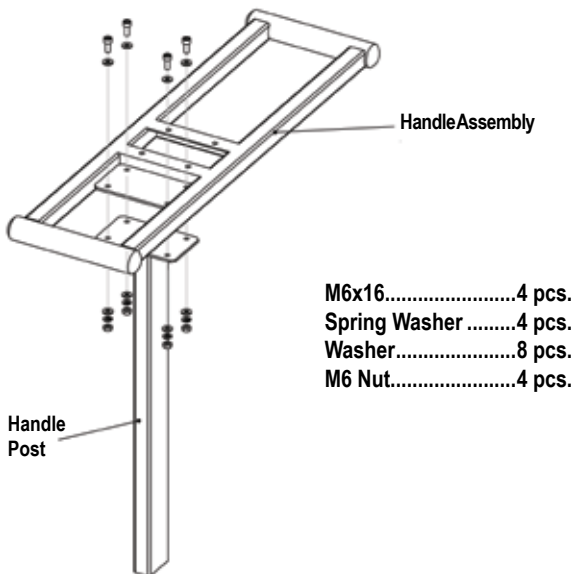
- M6-Wing Bolt 1 pcs.
- Spring Washer 1 pcs.
- Washer 1 pcs.

Install Halogen Light Assembly on Chassis Assembly by using supplied Wing Bolt & Nut sets.

Note: Always wear protective gloves when inserting or removing bulb.

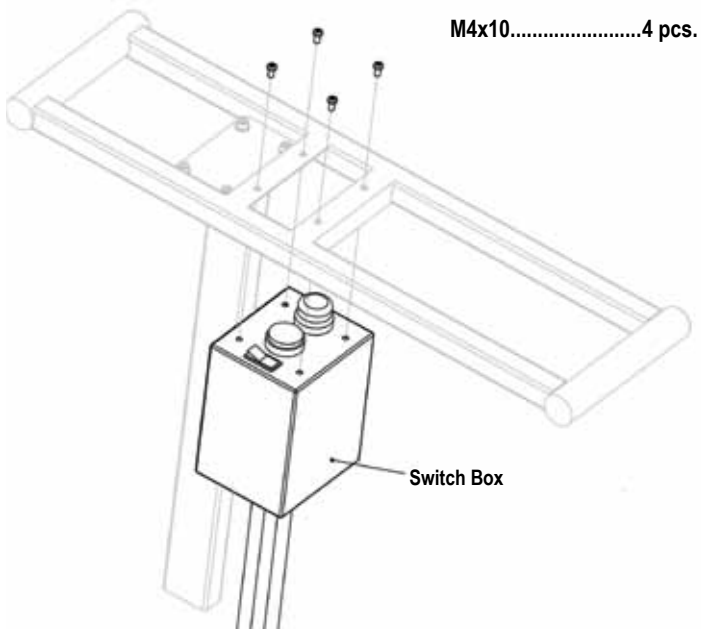
Assembly of Ecogrinder Caddy cont'd

► STEP 7



Connect the Handle Assembly and Handle Post by using supplied M6 Bolt & Nut sets.

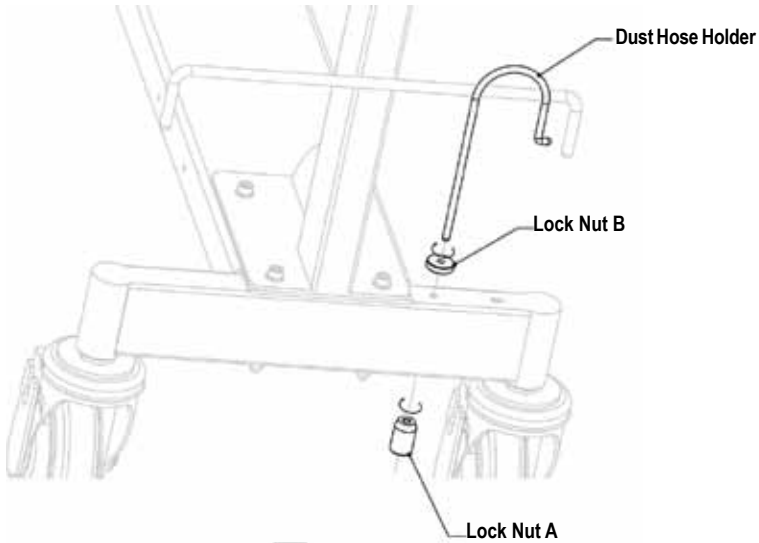
► STEP 8



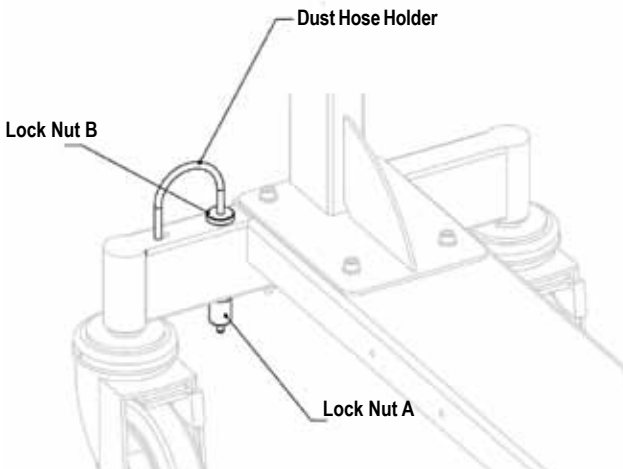
Connect Switch Box to the Handle Assembly by using the supplied M4 Screws.

Assembly of Ecogrinder Caddy cont'd

► STEP 9



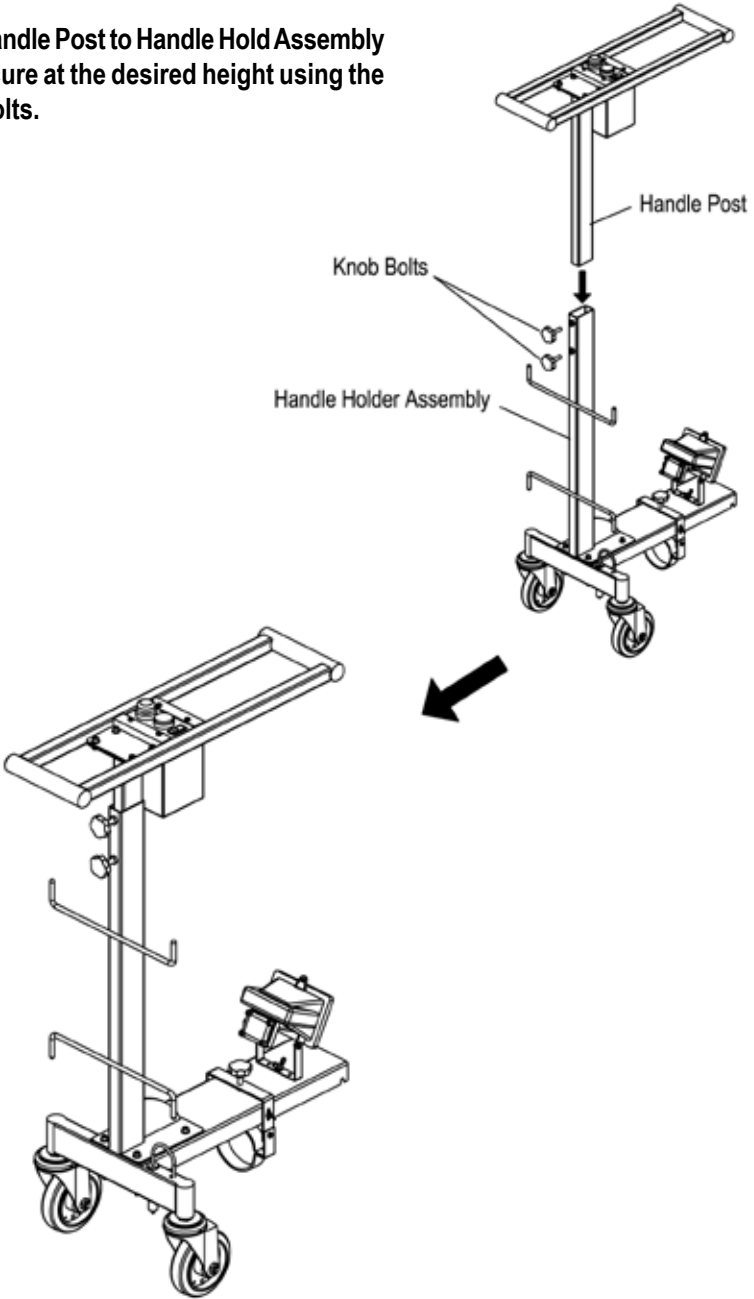
Screw on Lock Nut B to Dust Hose Holder then secure Dust Hose Holder temporary by using Lock Nut A.



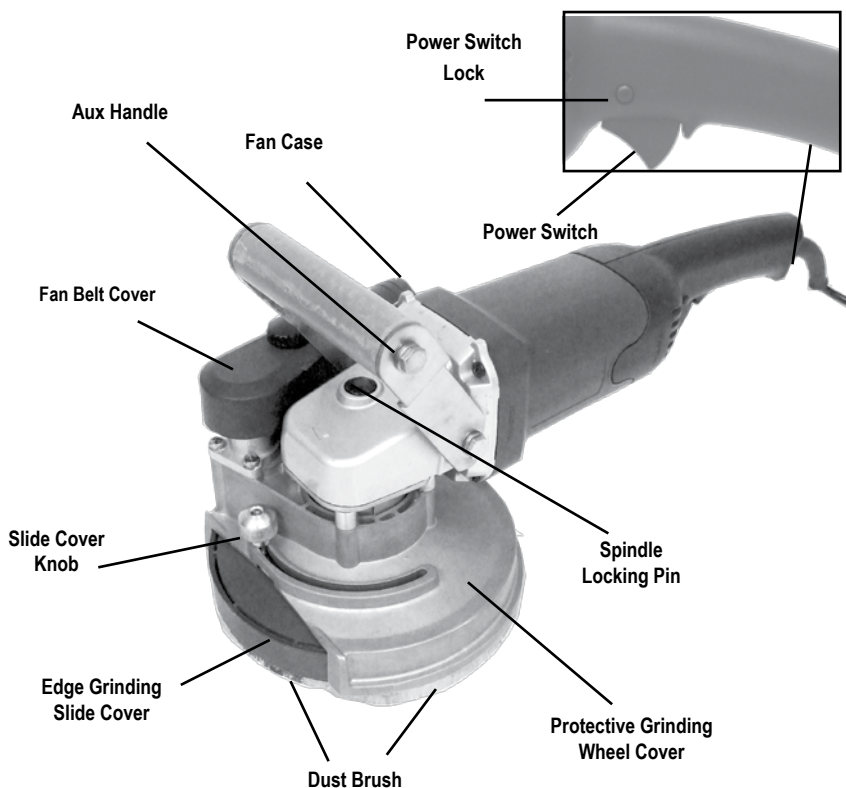
Assembly of Ecogrinder Caddy cont'd

► STEP 10

Insert Handle Post to Handle Hold Assembly then secure at the desired height using the Knob Bolts.



► **ECOGRINDER OVERVIEW**



► **SPECIFICATIONS**

Power Supply.....	Single-Phase AC, 50/60 Hz
Rating	110/220 Volts
Amperage	10.25/5.1
Power.....	1050W
No-load Speed	8,700 RPM
Wheel Size.....	5" / 125mm
Arbor.....	26mm
	(To be used with Spring Loaded Flange Assembly and Drive Plate Adapter)
Arbor.....	7/8" / 22.23mm
	(To be used with Manual Height Adjustment Flange Assembly)
Weight	12.70 lbs / 5.76kgs
	(Tool w/Hose and Bag)
Cord.....	10ft / 3m
	(Single Phase 2 Conductor)

 **CAUTION!**

The following are important notes for products, operation, and maintenance applicable to this polisher.

GENERAL SAFETY RULES

► WORK AREA

- Keep your work area clean and well lit. Cluttered benches and dark areas invite accidents.
- Do not operate power tools in explosive atmospheres, such as in the presence of flammable liquids, gases, or dust. Power tools may create sparks which may ignite the dust or fumes.
- Keep bystanders, children, and visitors away while operating a power tool. Distractions can cause you to lose control.

► ELECTRICAL SAFETY

- Grounded tools must be plugged into an outlet properly installed and grounded in accordance with all codes and ordinances. Never remove the grounding prong or modify the plug in any way. Do not use any adaptor plugs. Check with a qualified electrician if you are in doubt as to whether the outlet is properly grounded. If the tools should electrically malfunction or break down grounding provides a low resistance path to carry electricity away from the user.
- Avoid body contact with grounded surfaces, such as pipes, radiators, ranges, and refrigerators. There is an increased risk of electric shock if your body is grounded.
- Don't expose power tools to rain or wet conditions. Water entering a power tool will increase the risk of electric shock.
- Do not abuse the cord. Never use the cord to carry the tools or pull the plug from an outlet. Keep cord away from heat, oil, sharp edges, or moving parts. Replace damaged cords immediately. Damaged cords increase the risk of electric shock.
- When operating a power tool outside, use an outdoor extension cord marked "W-A" or "W". These cords are rated for outdoor use and reduce the risk of electric shock.

► USE PROPER EXTENSION CORDS

Use only three-wire extension cords that have three-prong grounding-type plugs and three-pole receptacles that accept the tool's plug. Make sure your extension cord is in good condition. Replace or repair damaged or worn cord immediately. When using an extension cord, be sure to use one heavy enough to carry the current your product will draw. An undersized cord will cause a drop in line voltage resulting in loss of power and overheating. Below table shows the correct size to use depending on cord length and nameplate ampere rating. If in doubt, use the next heavier gauge. The smaller the gauge number, the heavier the cord.

OPTIONAL ACCESSORIES (ITEMS SOLD SEPARATELY)

Ampere Rating		Total length of cord in feet (120V)		
		25ft	50ft	100ft
More Than	Not More Than	AWG		
0	6	18	16	16
6	10	18	16	14
10	12	16	16	14
12	16	14	12	Not Recommended

► **GROUNDING INSTRUCTIONS**

This tool should be grounded while in use to protect the operator from electric shock. The tool is equipped with a three-conductor cord and three-prong grounding type plug to fit the proper grounding type receptacle. The green (or green and yellow) conductor in the cord is the grounding wire. Never connect the green (or green and yellow) wire to a live terminal.

ECOGRINDER OPERATION

 **CAUTION!**

Always be sure that the tool is switched off and unplugged before adjusting or checking function on tool.

► **MAIN CONNECTION**

Connect only to single-phase AC current supply and only to the main voltage specified on the rating plate.

► **SWITCHING ON AND OFF**

 **CAUTION!**

Before plugging in the tool, always check the working voltage and be sure that the voltage specified is on the name plate. Before plugging in the tool, always check to see that the trigger switch actuates properly and returns to the “OFF” position.

Switching on and Off:

Intermittent Use:

Switching on: Press the trigger switch

Switch off: Release the trigger switch

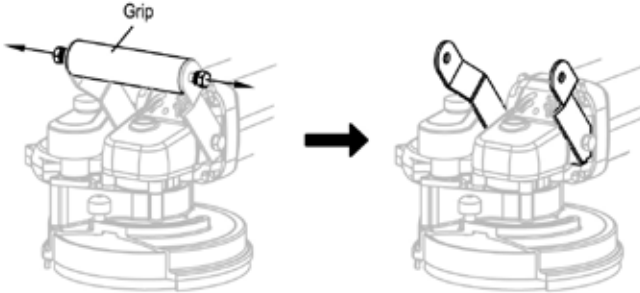
Continuous Use:

Switching on: Press the trigger switch and then the locking button, then release the trigger switch

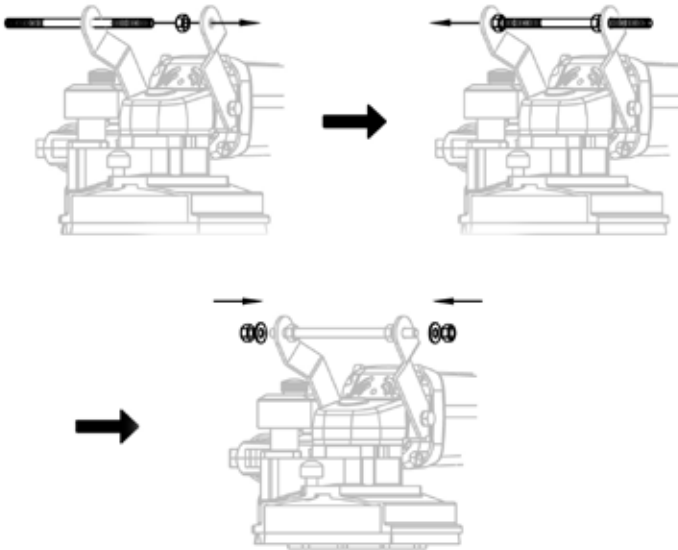
Switching off: press the trigger switch, then release

ATTACHING THE ECOGRINDER TO THE CADDY

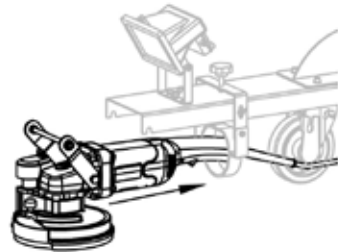
1. Loosen the two Screws from the Handle of the EcoGrinder.
Save original Grip and Bolts for future use.



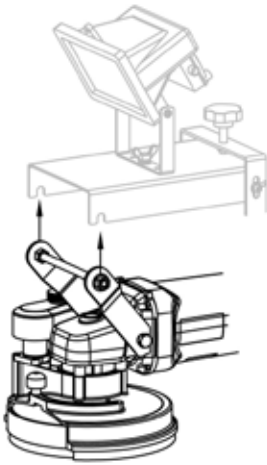
2. Install supplied Screws and Nuts to pre-assemble as a Hanger Bolt.



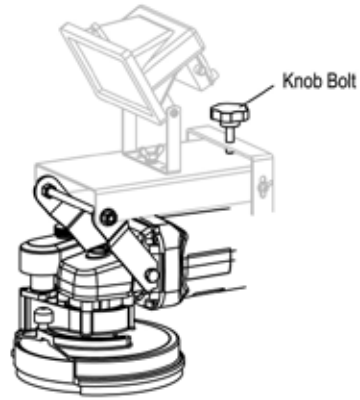
3. Insert the Power Cord through the Motor Support Assembly, then slide the Grinder into the Motor Holder.



OPTIONAL ACCESSORIES (ITEMS SOLD SEPARATELY)

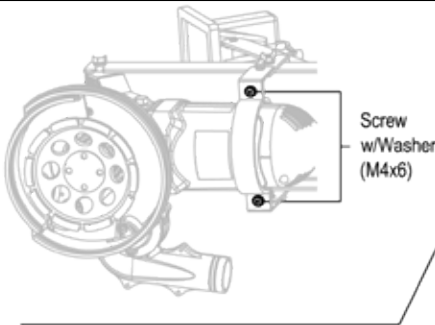


4. Insert the two slots in between the Handle Brackets and the Washers, attach to the Hanger Bolt. Tighten lightly.



5. When installation is completed, tighten the Screws to secure the Grinder to the Caddy.

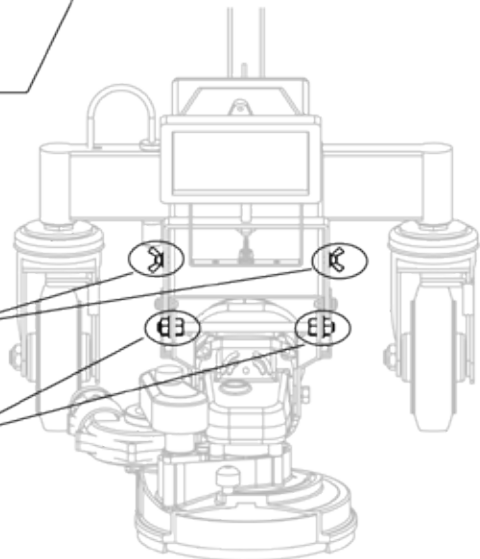
6. Adjust the Knob Bolt up or down to level the Ecogrinder against the floor.



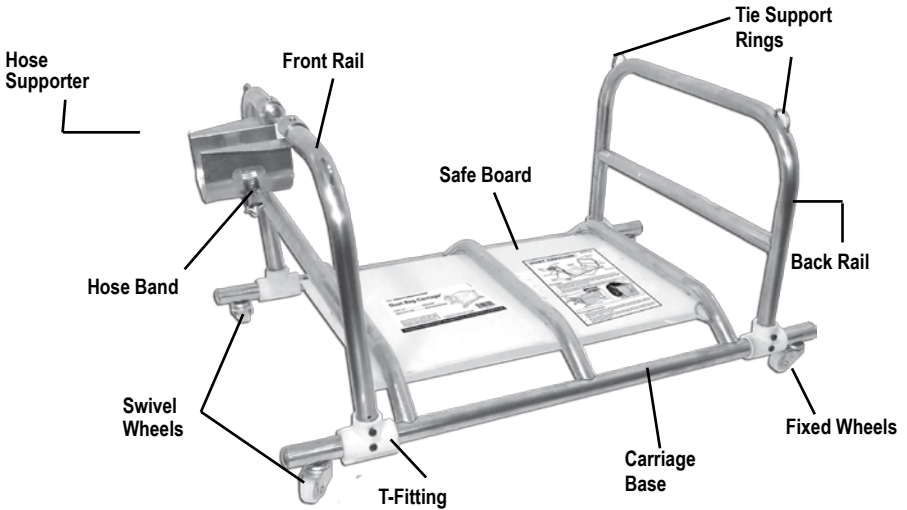
7. Tighten the Screws and the Wing Nuts to secure the level of the Ecogrinder on the Ecocaddy.

Wing Bolts x2

Nuts x4



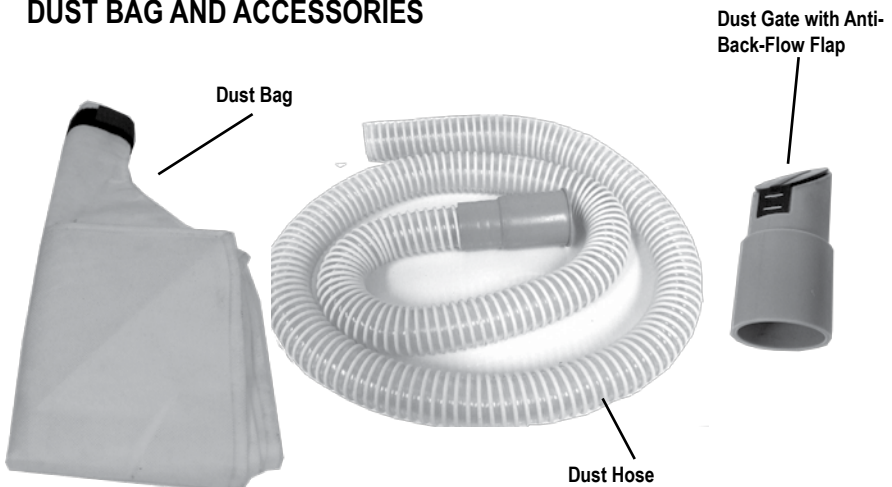
DUST BAG CARRIAGE



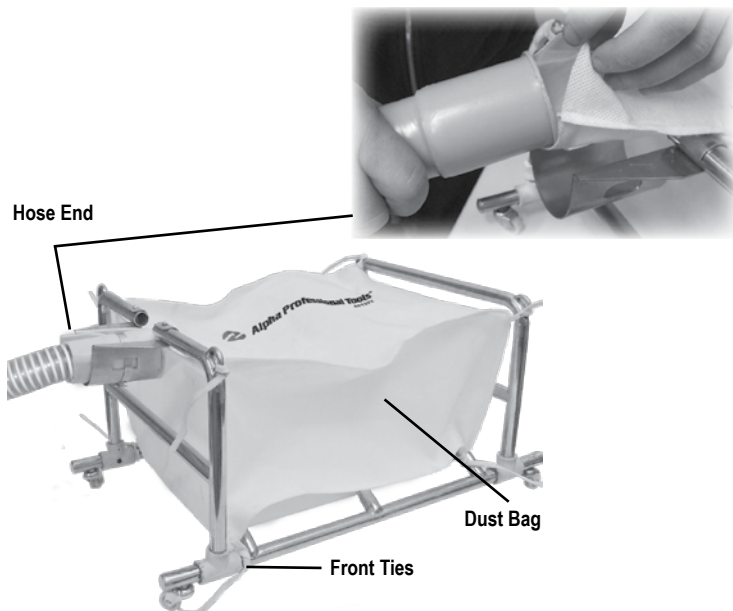
► ASSEMBLY

1. Insert front rail with Hose Supporter facing outwards into the T-Fittings at the front of the Carriage Base (Note: the front of carriage base has Swivel Wheels for easy maneuvering). Align clearance holes on rail with holes on T-Fittings. Insert the supplied screws on both ends and hand-tighten with a screw driver.
2. Insert back rail into the T-Fittings at the back of carriage base (Note: the back of the carriage base has Fixed Wheels). Follow steps for tightening the rail as stated above.

DUST BAG AND ACCESSORIES



OPTIONAL ACCESSORIES (ITEMS SOLD SEPARATELY)



► ATTACHING THE DUST BAG

1. Using a flat-head screwdriver, remove the Hose Band from the Hose Supporter. Insert the Hose End into the mouth of the Dust Bag. Place in the Hose Supporter and secure with the Hose Band. Tighten to a snug fit.
2. Secure the Dust Bag to the dust bag carriage by tying each end to the Tie Support Rings located on the rails of the dust bag carriage. The lower front ties can be tied to the rail of the carriage base as shown in the photo above.

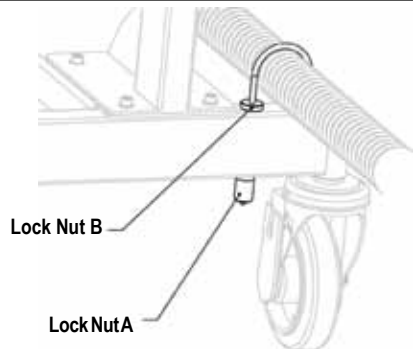
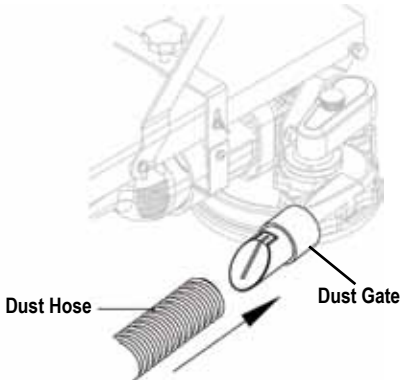
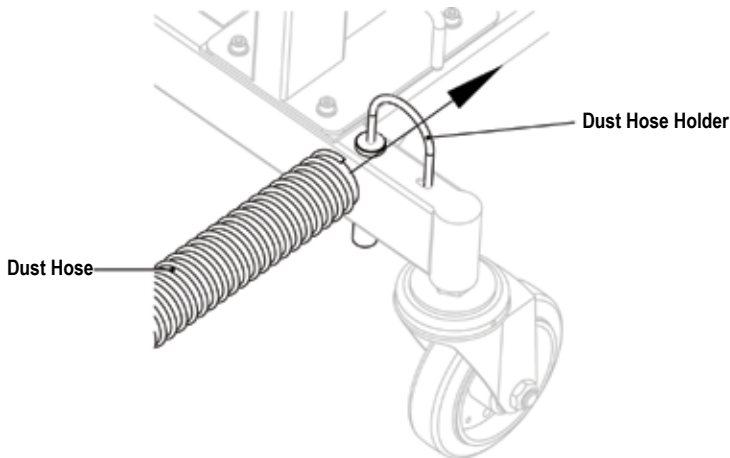
NOTE: The Dust Bag Carriage can also be used as a backpack for vertical applications and easy transport.

To convert to a backpack, hook straps onto Tie Support Rings.



ATTACHING THE DUST HOSE TO THE ECOGRINDER

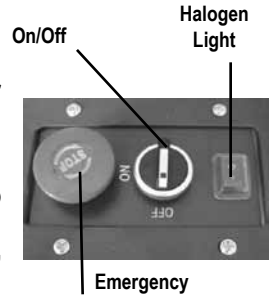
1. Insert Dust Hose through Dust Hose Holder as shown below.



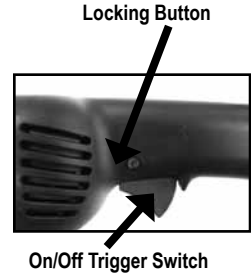
2. Install the dust gate with anti-back-flow flap to the Ecogrinder exhaust port. Make sure the dust gate is in the upright position, so flap will close when the tool is turned off.
3. Slide the dust hose onto the dust gate, twist and turn until the hose is up against the shoulder for a snug fit.
4. Adjust Lock Nut A and Lock Nut B of Dust Hose Holder to secure Dust Hose.

ECOCADDY OPERATION

1. Confirm three switches on Switch Box are set to proper positions as described below.
 - Emergency Switch is set to “ON”
 - On/Off Switch to be proper position according to photo is set to “OFF”
 - Indication of Halogen Light Switch is set to “OFF”

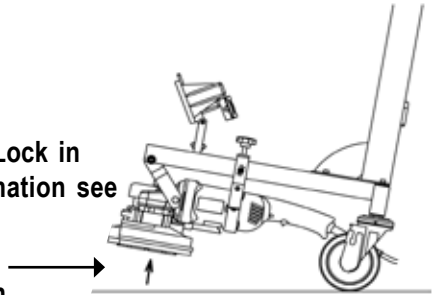


2. Confirm the Trigger Switch of Ecogrinder is set to “OFF”
3. Plug in Power Cord of Ecogrinder to receptacle on Switch Box of Ecocaddy.
4. Plug in Power Cord from Switch Box to receptacle of Power Source.

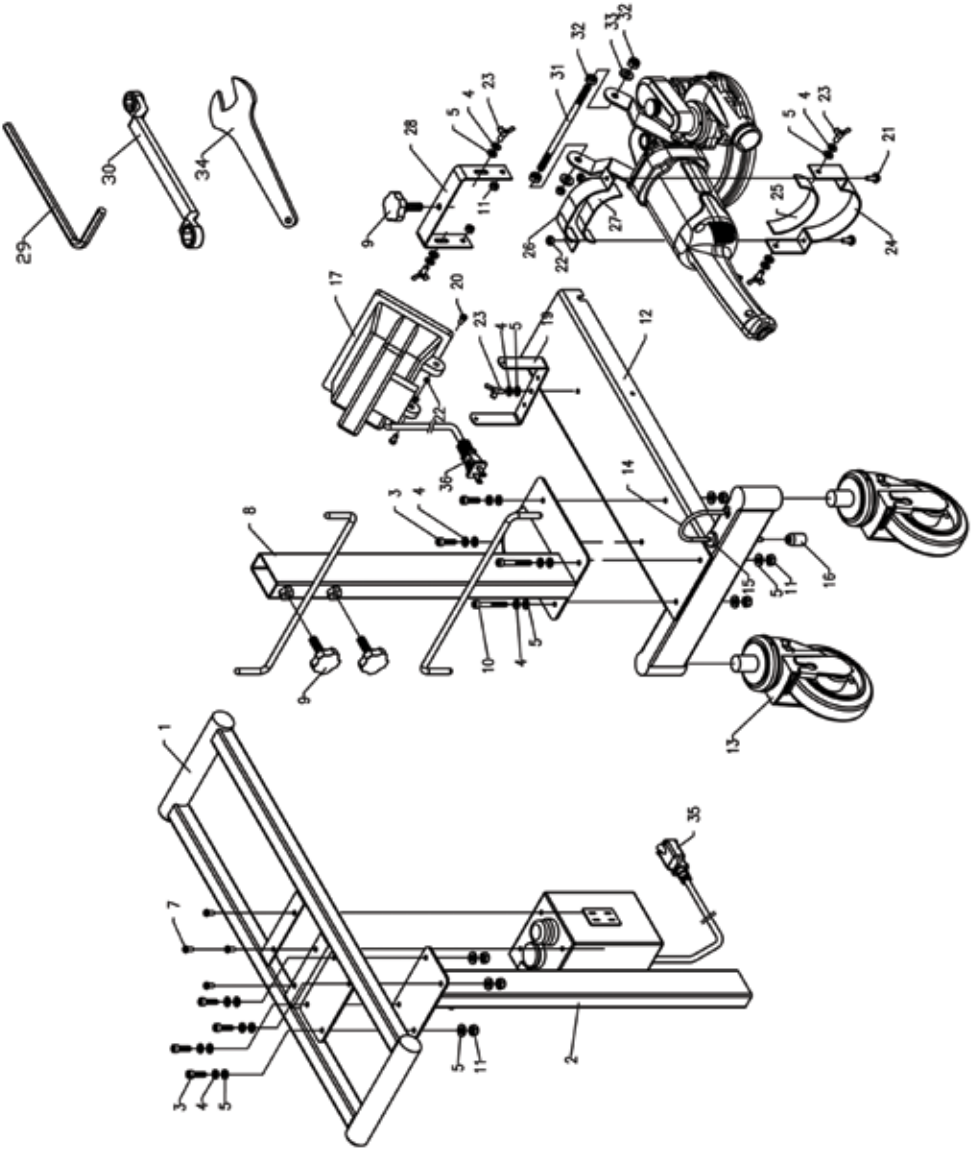


► OPERATIONAL TEST

1. Turn Trigger Switch “ON” then Lock in “ON” position. (For more information see page 15 “Ecogrinder Operation”)
2. Bring grinder head “UP” as shown
3. Turn on Ecogrinder by twisting ON/OFF switch in the middle to clockwise.
4. Press Emergency Switch to “OFF” to make sure Ecogrinder stops its operation.
5. Twist ON/OFF Switch counterclockwise to reset proper start in order to avoid sudden start-up when resetting the Emergency Switch.
6. Twist Emergency Switch to release it to set in the “ON” position.



ALPHA® ECOGRINDER CADDY (ECOCAD125/ECOCAD225) SCHEMATIC



ALPHA® ECOGRINDER CADDY (ECOCAD125/ECOCAD225) PARTS LIST

DRAWING NO.	PART NO.	DESCRIPTION	QUAN- TITY
1	801640	Handle Assembly	1
2	801641	Handle Post	1
3	133560	Socket Screw (M6x16)	6
4	133072	Spring Washer (M6)	13
5	133071	Washer (M6)	21
6	801643/801706	Switch Box 110 V / 220V	1
7	801693	Screw (M4x10)	4
8	801644	Handle Holder Assembly	1
9	801645	Knob Bolt (M8x30)	3
10	801646	Socket Screw (M6x80)	2
11	803138	Nut (M6)	10
12	801647	Chassis Assembly	1
13	801649	Wheel D125	2
14	801650	Dust Hose Holder	1
15	801651	Lock Nut-A	1
16	801652	Lock Nut-B	1
17	801653/801708	Halogen Light Assembly 110V / 220V	1
18	801705	Halogen Bulb 150W	1
19	801655	Halogen Light Holder	1
20	801656	Flange Screw (M4x10)	2
21	804214	Screw w/Washer (M4x16)	2
22	801682	Nut	4
23	133084	Wing Bolt	5
24	801661	Motor Holder	1
25	801662	Rubber Seat-A	1
26	801663	Clamp	1
27	801664	Rubber Seat-B	1
28	801665	Blacket	1
29	801666	Hex. Wrench	1
30	801667	Box End Wrench	1
31	801713	Screw	1
32	803179	Nut	4
33	801360	Spring Washer	2
34	133535	Spanner Wrench (19mm)	1
35	801668	Plug	1
36	801669	Socket	1



103 Bauer Drive, Oakland, NJ 07436 • 800-648-7229 • Fax: 800-286-0114
www.alpha-tools.com

Copyright © 2012 Alpha Professional Tools. All rights reserved.

01/2012
