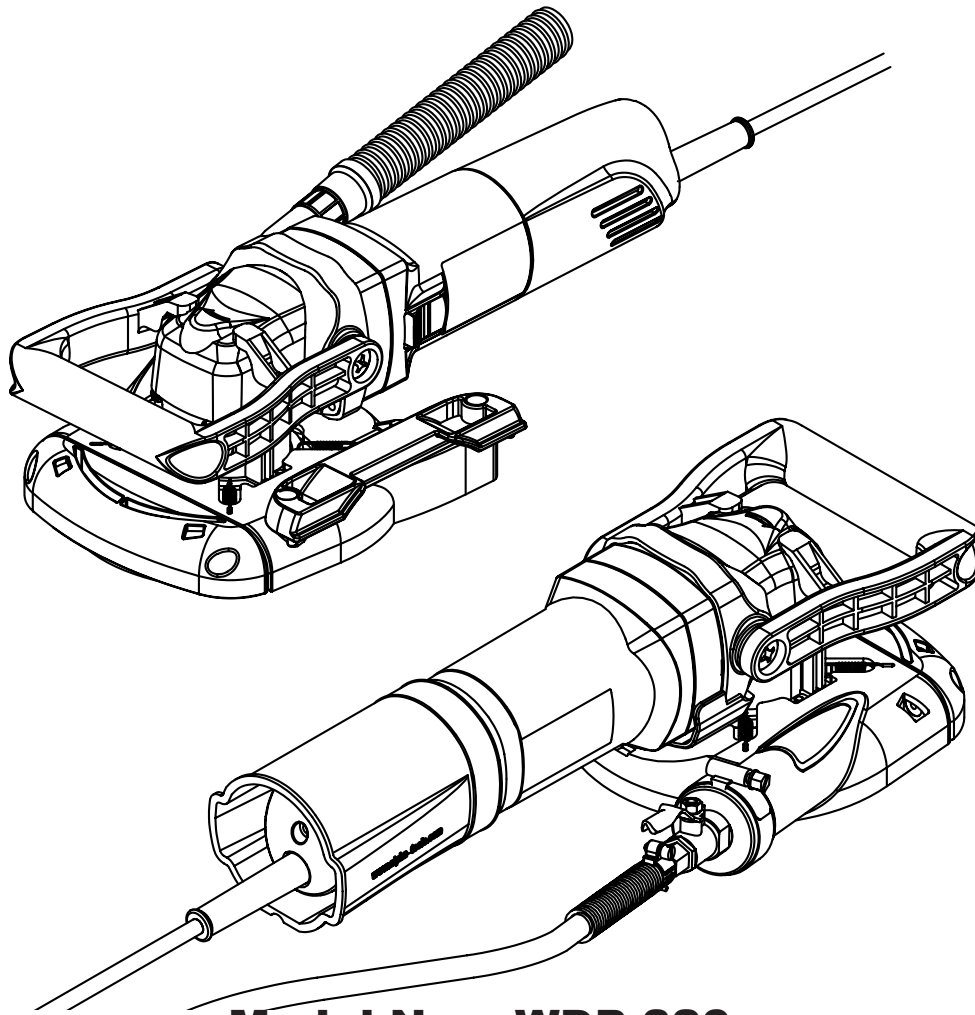

Alpha[®] Wet/Dry Variable Speed Polisher Instruction Manual



Model No.: WDP-320

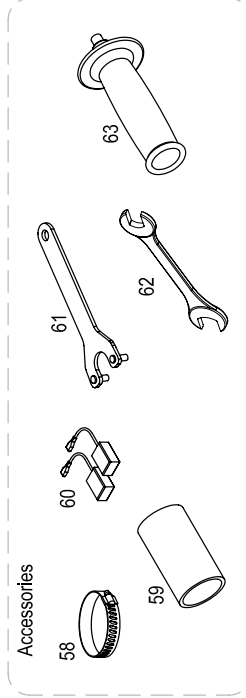
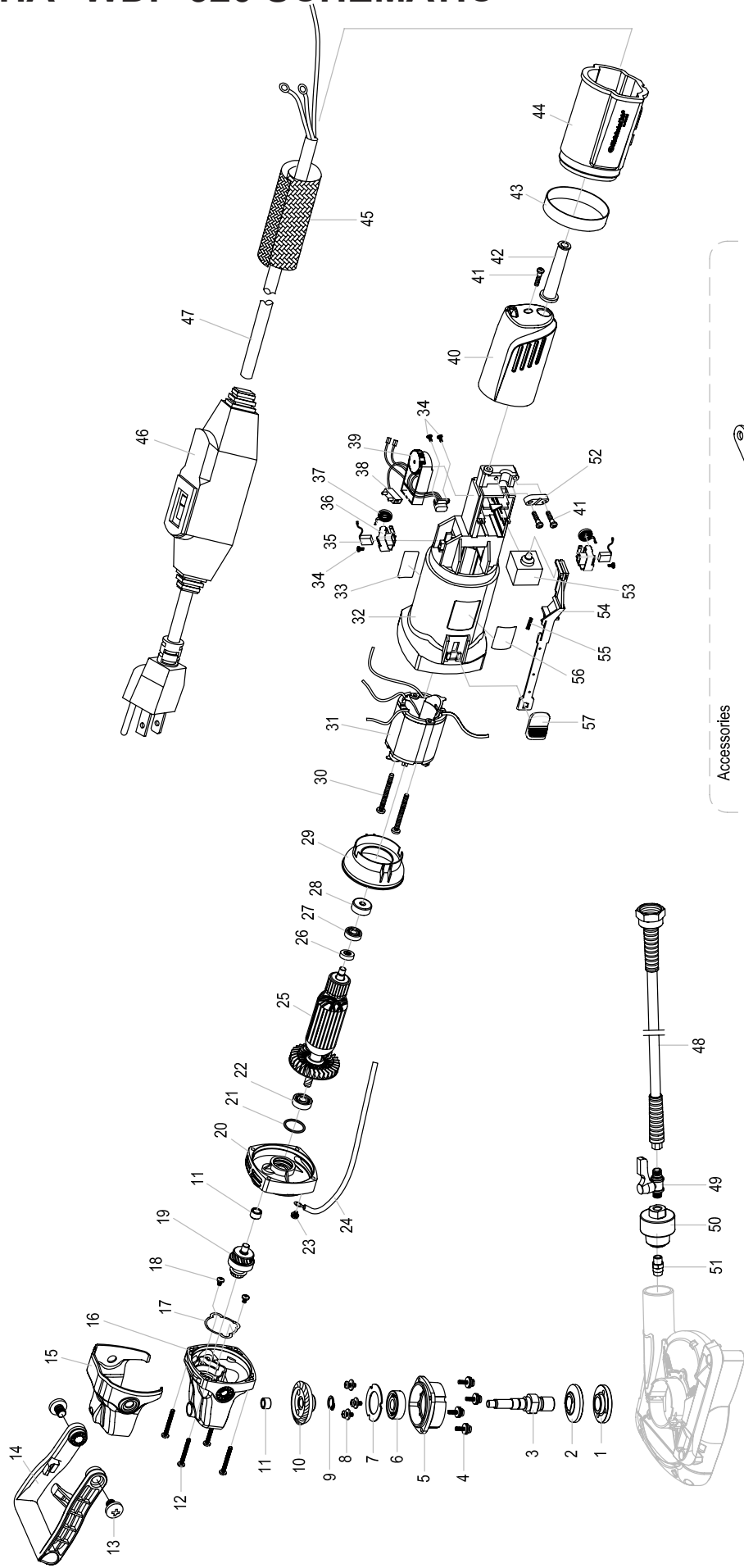
Version 2

WARNING: To reduce the risk of injury, user must read and understand instruction manual!

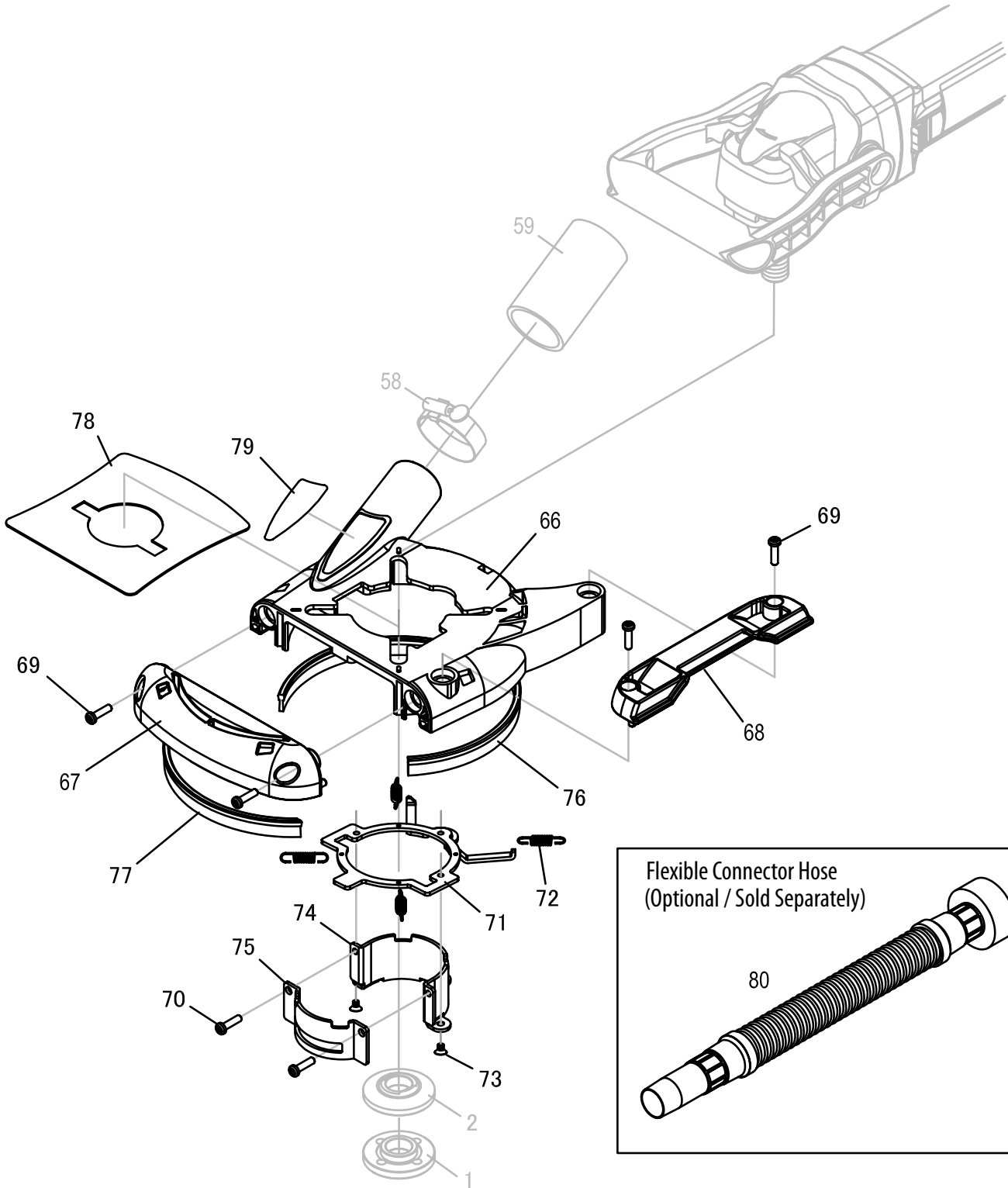
 **Alpha Professional Tools[®]**

103 Bauer Drive, Oakland, NJ 07436 • 800-648-7229 • Fax: 800-286-0114
www.alpha-tools.com

ALPHA® WDP-320 SCHEMATIC



ALPHA® WDP-320 GUARD SCHEMATIC



ALPHA® WDP-320 PARTS LIST

DRAWING NO#	PART NO#	DESCRIPTION	QUANTITY
1	210301	Lock Nut (5/8"-11) for Variable Drive	1
2	110301	Inner Flange	1
3	310025	Output Shaft 5/8"-11 UNC	1
4	210111	Combination Screw M4×14	4
5	310002	Gear Case Cover	1
6	210010	Ball Bearing 6201	1
7	310003	Bearing Cover	1
8	310026	Combination Screw M4×10 (w/spring washer & flat washer)	3
9	310027	C-clip for shaft 12	1
10	310037	Gear	1
11	210019	Oil-impregnated Bearing 8×12×8	2
12	210021	Self-tapping Screw ST4.2×40	4
13	210023	Screw M10×20	2
14	210024	C-handle	1
15	210022	Case Plastic Cover	1
16	210027	Gear Case	1
17	210116	Sealing Ring	1
18	210033	Screw M4×8	2
19	210117	Pinion Gear Sub Assembly	1
20	210034	Bearing Retainer	1
21	210035	O-ring (21.2×1.8)	1
22	210036	Ball Bearing 608	1
23	210119	Combination Screw M4×8	1
24	210120	Wire Lead (Circular lugs 4#)	1
25	210121	Armature 120V	1
26	210095	Magnetic Ring	1
27	210038	Ball Bearing 607	1
28	210039	Rubber Bearing Seat	1
29	210106	Wind Shield	1

ALPHA® WDP-320 PARTS LIST (CONT'D)

DRAWING NO#	PART NO#	DESCRIPTION	QUANTITY
30	210041	Self-tapping Screw ST4.2×70	2
31	210122	Field Coil 120V	1
32	210091	Field Coil Case	1
33	310028	Data Label	1
34	210049	Self-tapping Screw 2.9×8	4
35	210048	Carbon Brush 120V Set	1
36	210046	Carbon Brush Holder	2
37	210047	Coil Spring	2
38	210094	Terminal Block	1
39	210135	Speed pot w/Feed-back Sensor 120V	1
40	310030	Rear Cover	1
41	210054	Self-tapping Screw 4.2×14	3
42	210055	Cord Jacket	1
43	210108	Rubber Band	1
44	210107	Ventilation Cap	1
45	210124	Memory Wrap (3ft./1m)	1
46	210125	GFCI 120V	1
47	210126	Power Supply Cord 120V	1
48	210129	Water Hose Assembly (15ft./5m)	1
49	310034	Water Valve Assembly	1
50	310035	Rubber Plug Assembly	1
51	310036	Spray Nozzle	1
52	210066	Cord Clamp	1
53	210068	Switch	1
54	210070	Switch Push Lever	1
55	210069	Back Moving Spring	1
56	310040	Brand Label	1
57	210071	Switch Push Button	1
58	310008	Stainless Steel Hose Band	1

ALPHA® WDP-320 PARTS LIST (CONT'D)

DRAWING NO#	PART NO#	DESCRIPTION	QUANTITY
59	500005	Rubber Hose Adapter	1
60	210048	Spare Set of Carbon Brushes 120V	1
61	210105	Pin Wrench	1
62	210110	Double Open End Wrench (17mm-19mm)	1
63	210074	Side Handle	1
66	500032	Main Cover	1
67	500033	Sub Cover	1
68	500034	Half Cover	1
69	500037	Combination Screw M4×10 (w/spring washer)	4
70	310020	Combination Screw M4×12 (w/spring washer)	2
71	310017	Set Plate	1
72	310016	Holder Spring	4
73	310021	Flat Head Screw M4×6	3
74	310018	Connector-A01	1
75	310019	Connector-A02	1
76	500041	Brush-A	1
77	500042	Brush-B	1
78	310014	Seal	1
79	310105	Brand Label (Guard)	1
Optional / Sold Separately			
80	500026	Flexible Connector Hose 18"	1