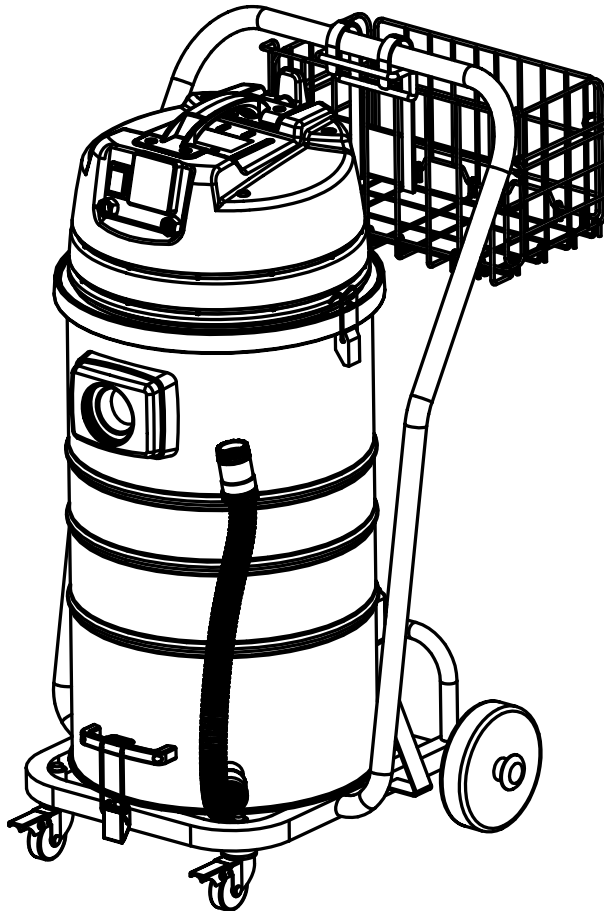

Alpha[®] HEPA Wet/Dry Vacuum Parts List and Schematic



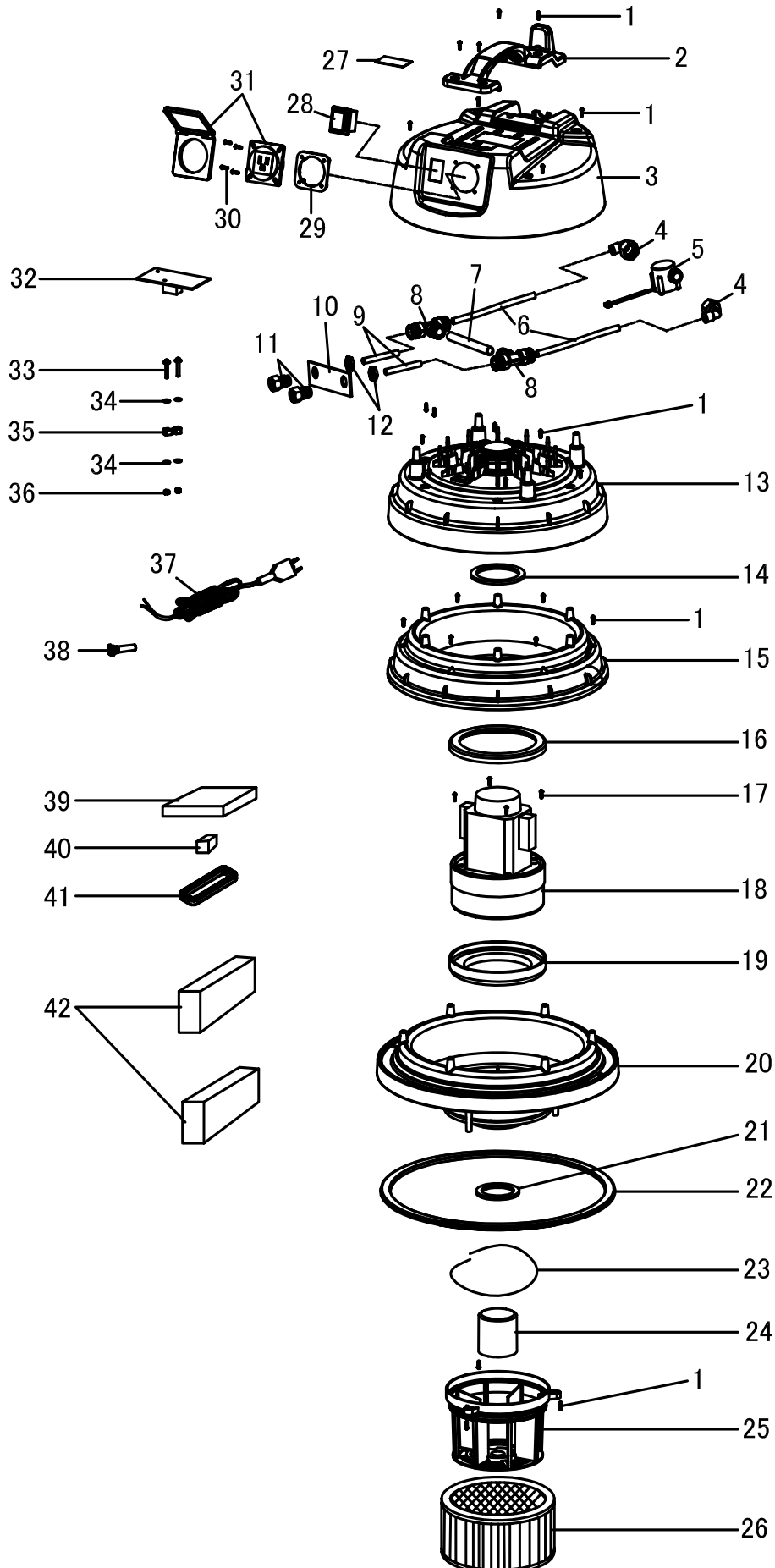
Part No: HWD1120/HWD1240
Version 1

WARNING: To reduce the risk of injury, user must read and understand instruction manual!

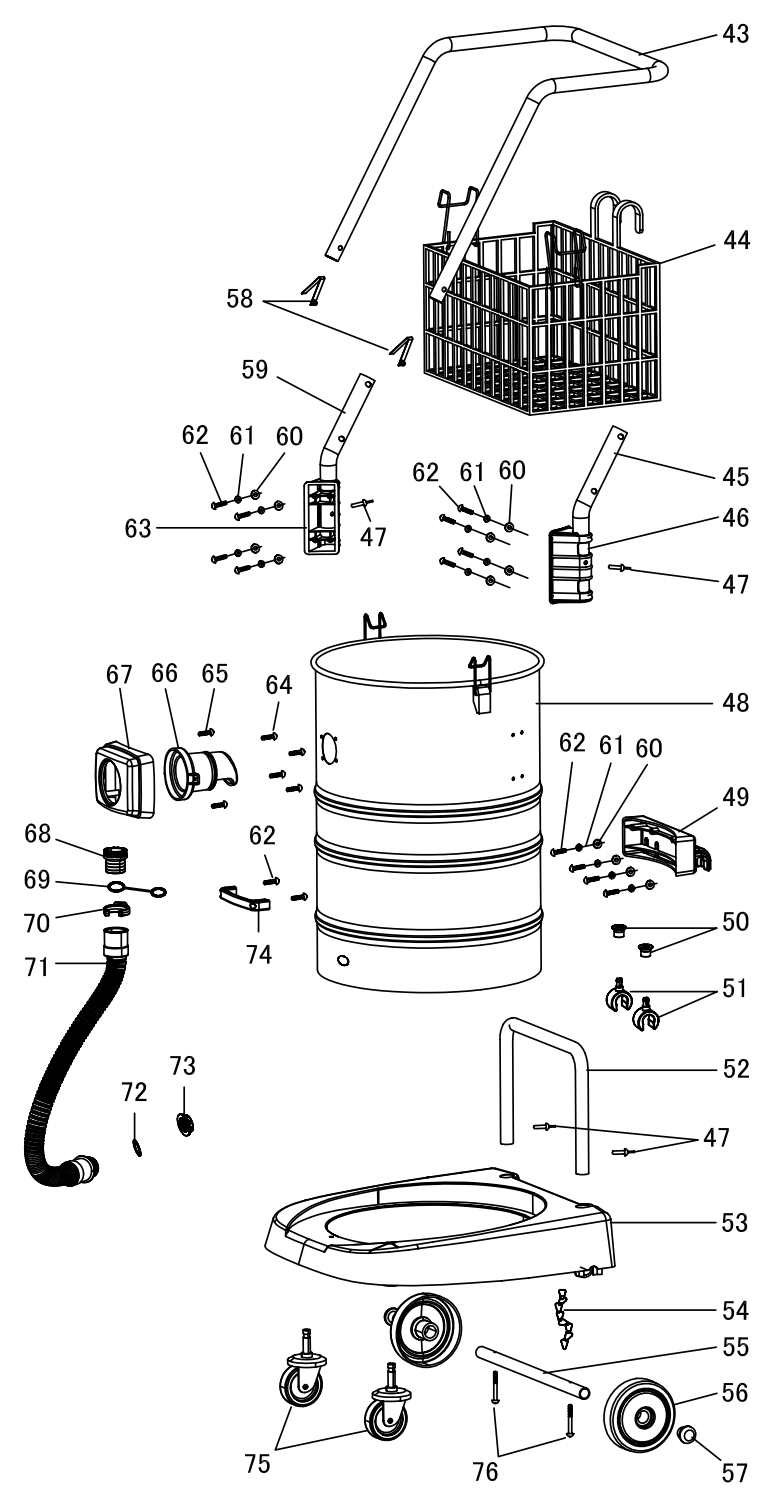
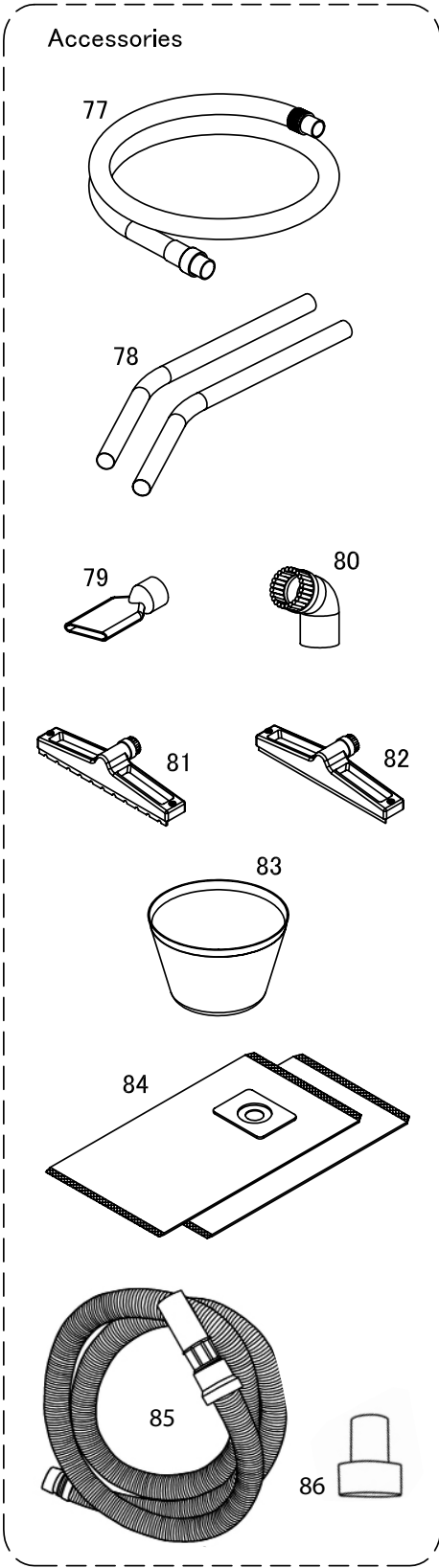
 **Alpha Professional Tools**[®]

103 Bauer Drive, Oakland, NJ 07436 • 800-648-7229 • Fax: 800-286-0114
www.alpha-tools.com

ALPHA® HEPA WET/DRY VACUUM SCHEMATIC (INSIDE)



ALPHA® HEPA WET/DRY VACUUM SCHEMATIC (OUTSIDE)



ALPHA® HEPA WET/DRY VACUUM PARTS LIST

Drawing No.	Part No.	Description	Quantity
1	HWD5010	Screw 4x16	23
2	HWD5011	Top Plastic Handle	1
3	HWD5012	Top Cover	1
4	HWD5013	Elbow Fitting	2
5	HWD5014	Air Flow Switch	1
6	HWD5015	Pipe-A 8mm x 200mm	2
7	HWD5016	Pipe-B 8mm x 80mm	1
8	HWD5017	T-Fitting	2
9	HWD5018	Pipe-C 8mm x 40mm	2
10	HWD5019	Rubber Gasket	1
11	HWD5020	Bulkhead Fitting	2
12	HWD5021	Bulkhead Lock Nut	2
13	HWD5022	Middle Cover	1
14	HWD5023	Foam Seal Ring 85mm OD	1
15	HWD5024	Motor Cover	1
16	HWD5025	Upper Motor Gasket	1
17	HWD5026	Screw 5x20	4
18	HWD5027	Double Stage Motor 120V	1
18	HWD5086	Double Stage Motor 240V	1
19	HWD5028	Lower Motor Gasket	1
20	HWD5029	Tank Top Plate	1
21	HWD5030	Foam Seal Ring 65mm OD	1
22	HWD5031	Rubber Seal Ring 375mm OD	1
23	HWD5032	Foam Seal Cord 500mm Long	1
24	HWD5033	Tip Over Protective Valve	1
25	HWD5034	Filter Support Housing	1

ALPHA® HEPA WET/DRY VACUUM PARTS LIST (CONTINUED)

DRAWING NO.	PART NO.	DESCRIPTION	QUANTITY
26	HWD5002	HEPA Filter	1
27	HWD5035	Rating Label	1
28	HWD5036	Switch (3-way)	1
29	HWD5037	Electrical Outlet Clamp	1
30	HWD5038	Screw for Electrical Outlet 4x16	4
31	HWD5039	Electrical Outlet w/Cover 120V	1
31	HWD5087	Electrical Outlet w/Cover 240V	1
32	HWD5040	Power Control Board	1
33	HWD5041	Screw M4x25	2
34	HWD5042	Washer	4
35	HWD5043	Wire Block	1
36	HWD5044	Nut M4	1
37	HWD5045	Power Cable (UL Plug) 120V	1
37	HWD5088	Power Cable (VDE Plug) 240V	1
38	HWD5046	Cable Sleeve	1
39	HWD5047	Silencer Foam 1	1
40	HWD5048	Rubber Block	1
41	HWD5049	Ferrite Ring	1
42	HWD5050	Silencer Foam 2	2
43	HWD5051	Metal Handle	1
44	HWD5052	Storage Basket	1
45	HWD5053	Right Connector Pipe	1
46	HWD5054	Right Handle Seat	1
47	HWD5055	Pop Rivet	4
48	HWD5056	Stainless Steel Tank	1
49	HWD5057	Tilt/Dump Bracket	1

ALPHA® HEPA WET/DRY VACUUM PARTS LIST (CONTINUED)

DRAWING NO.	PART NO.	DESCRIPTION	QUANTITY
50	HWD5058	Tilt Lock Knob	2
51	HWD5059	Tilt Lock	2
52	HWD5060	Tilt/Dump Support Shelf	1
53	HWD5061	Pedestal	1
54	HWD5062	Ground Chain	1
55	HWD5063	Axle	1
56	HWD5064	Rubber Wheel	2
57	HWD5065	Axle Cap	2
58	HWD5066	Handle Lock Clip	2
59	HWD5067	Left Connector Pipe	1
60	HWD5068	Rubber Washer	12
61	HWD5069	Metal Washer	12
62	HWD5070	Screw 4x20	14
63	HWD5071	Left Handle Seat	1
64	HWD5072	Screw for Suction Inlet 4x16	4
65	HWD5073	Screw 4x12	2
66	HWD5074	Suction Inlet	1
67	HWD5075	Suction Inlet Cover	1
68	HWD5076	Water Outlet Plug	1
69	HWD5077	Plug Retainer Ring	1
70	HWD5078	Drain Hose Clip	1
71	HWD5079	Drain Hose	1
72	HWD5080	Drain Hose Seal Washer	1
73	HWD5081	Drain Hose Nut	1
74	HWD5082	Handrail	1
75	HWD5083	Caster Wheel	2
76	HWD5084	Screw 4x30	2

ALPHA® HEPA WET/DRY VACUUM PARTS LIST (CONTINUED)

DRAWING NO.	PART NO.	DESCRIPTION	QUANTITY
77	HWD5004	Hose Assembly 1-1/2" x 10'	1
78	HWD5005	Metal Wand 1-1/2" (2pc set)	1
79	HWD5007	Crevice Nozzle	1
80	HWD5006	Round Brush	1
81	HWD5008	Dry Floor Nozzle	1
82	HWD5009	Wet Floor Nozzle	1
83	HWD5001	Cloth Filter (Large)	1
84	HWD5085	Cloth Dust Bag (2pc set) (Only sold as 5pk Part No. HWD5003)	1
85	500073	Flexible Connector Hose 54"	1
86	HEP110021	Hose Adapter	1