

Alpha[®] Pneumatic Air Polisher

Parts List and Schematic



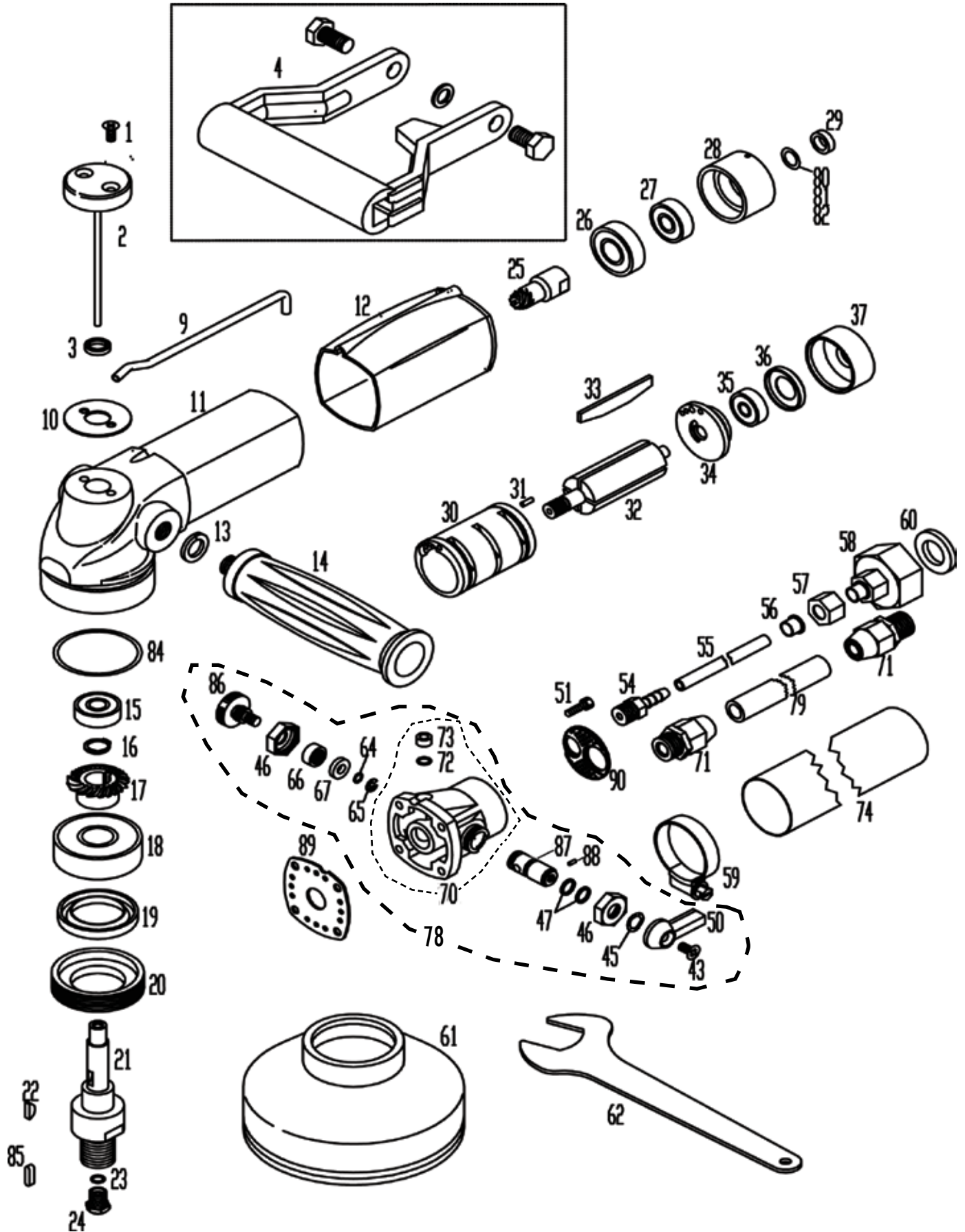
Part No: AIR-658
VERSION 6

 **Alpha Professional Tools**[®]

103 Bauer Drive, Oakland, NJ 07436 • 800-648-7229 • Fax: 800-286-0114
www.alpha-tools.com

► ALPHA® PNEUMATIC AIR POLISER SCHEMATIC (AIR-658 VERSION 6)

This Schematic is valid for Air Tools purchased after May 2009.



► ALPHA® PNEUMATIC AIR POLISHER PARTS LIST (VERSION 6)

DRAWING NO.	PART NO.	ITEM DESCRIPTION	MSRP
1	658-01	<i>Screw M4x14</i>	\$ 1.63
2	658-02	<i>Pipe-Joint Assembly</i>	\$ 27.41
3	516-44	<i>Oil Seal</i>	\$ 6.28
4	AWP-21A	<i>Handle (C-Shaped)</i>	\$ 25.87
9	658-09	<i>W-Pipe</i>	\$ 6.86
10	658-10	<i>Head Packing</i>	\$ 1.71
11	658-11	<i>Body</i>	\$ 78.58
12	658-12	<i>Body Cover</i>	\$ 17.13
13	658-13	<i>Spring Washer M10</i>	\$ 1.71
14	658-14	<i>Side Handle</i>	\$ 17.13
15	516-20	<i>Bearing 608 ZZ</i>	\$ 7.85
16	658-16	<i>Snap Ring</i>	\$ 1.71
17	658-17	<i>Spiral Bevel Gear</i>	\$ 41.14
18	516-48	<i>Bearing 6302 ZZ</i>	\$ 11.44
20	658-50	<i>Valve Lever</i>	\$ 20.55
21	658-21	<i>Spindle 5/8" -11 Thread</i>	\$ 59.97
22	658-22	<i>Woodruff Key</i>	\$ 2.05
23	658-23	<i>O-Ring (1.7mm X 2.75mm)</i>	\$ 1.71
24	658-24	<i>Spray Nozzle</i>	\$ 8.58
25	658-25	<i>Spiral Bevel Pinion</i>	\$ 20.55
26	516-18	<i>Bearing 6001 ZZ</i>	\$ 7.85
28	658-28	<i>F-Bearing Case</i>	\$ 20.55
29	658-29	<i>Rotor Spacer</i>	\$ 3.42
30	658-30	<i>Cylinder (Inc. Part # 658-31)</i>	\$102.82
31	658-31	<i>Spring Pin</i>	\$ 1.71
32	658-32	<i>Rotor</i>	\$ 41.14
33	516-25	<i>Vane (4 Pc Set)</i>	\$ 25.12
34	516-26	<i>R-Bearing Case</i>	\$ 31.45
35	516-27	<i>Bearing 626 ZZ</i>	\$ 7.85
36	516-28	<i>Bearing Cap</i>	\$ 4.72
37	658-37	<i>Air Inlet Case</i>	\$ 5.14
43	658-43	<i>Screw M4x12</i>	\$ 1.63
45	658-45	<i>Wave Washer</i>	\$ 2.07
46	658-46	<i>Nut M-14</i>	\$ 8.10
47	658-47	<i>O-RING (1.7mm X 6.75mm)</i>	\$ 2.53
50	658-50	<i>Valve Lever</i>	\$ 20.55
51	658-51	<i>Screw M4x15</i>	\$ 1.89
52	133236	<i>Compression Washer</i>	\$ 1.42
53	133230	<i>Sleeving Connector</i>	\$ 2.08
54	658-54	<i>Nipple</i>	\$ 4.67
55	133229	<i>Water Hose 8mm OD x 10ft (3m)</i>	\$ 8.28
56	133231	<i>Compression Nut</i>	\$ 2.08

► ALPHA® PNEUMATIC AIR POLISHER PARTS LIST (VERSION 6)

DRAWING NO.	PART NO.	ITEM DESCRIPTION	MSRP
57	133234	Adapter Fitting	\$ 4.87
58	133232	Water Hose Adapter	\$ 3.30
59	658-59	Clamp	\$ 6.24
60	133233	Hose Washer (Rubber)	\$ 0.30
61	AWP-01	Rubber Splash Guard	\$ 4.02
62	658-62	Wrench 22mm	\$ 7.80
64	658-64	O-Ring (1.0mm X 3.0mm)	\$ 1.69
65	658-65	Retaining Ring E-Style	\$ 2.04
66	658-66	Nut M8	\$ 5.13
67	658-67	Washer 05	\$ 3.40
70	658-70	Endcase w/Bushing (Inc. Part# 658-72 & 658-73)	\$ 64.28
71	516-79-2	Air Hose Joint 1/4" BSPP	\$ 5.71
72	658-72	O-Ring (1.9mm X 3.8mm)	\$ 1.58
73	658-73	Bushing 07	\$ 2.44
74	658-74	Exhaust Hose	\$ 20.24
78	658-78	Complete Endcase Assembly	\$119.09
79	516-79-1	Air Hose 10mm OD X 3M	\$ 34.90
80	658-80	Shim 01mm X 12mm OD	\$ 0.90
81	658-81	Shim 03mm X 12mm OD	\$ 0.90
82	658-82	Shim 05mm X 12mm OD	\$ 0.90
84	658-84	Shim 01mm X 84mm OD	\$ 2.24
85	658-85	Oval Key 10mm	\$ 1.86
86	658-86	Water Valve	\$ 20.54
87	658-87	A-Valve	\$ 23.69
88	658-88	Needle Pin	\$ 1.84
89	658-89	Body Gasket (Requires Part # 658-90)	\$ 5.15
90	658-90	Silencer (Requires Part # 658-89)	\$ 10.33
91	133287	Water Attachment Assembly 10'	\$ 18.68
998	AIR-008	Rust Inhibitor Oil 8oz.(237ml)	\$ 10.25
999	ST055	M44 Nut Wrench	\$ 55.34

*(Optional / Sold Separately). All prices are subject to change without notice.

► ALPHA® PNEUMATIC AIR POLISHER PARTS LIST (VERSION 6)

The following tool parts below are discontinued, please refer to the corresponding Part Nos. above for reference.

DRAWING NO.	PART NO.	DESCRIPTION
38	658-38	Body Packing (See Part No. 89)
52	658-52	Silencer (See Part No. 90)
53	658-53	Liner (See Part No. 90)
63	658-63	Needle Valve (See Part No. 86)
68	658-68	A-valve (Inc. Part# 658-69) (See Part No. 87)
69	658-69	Needle Pin (See Part No. 88)