

Alpha[®] Pneumatic Air Polisher

Parts List and Schematic



(Shown with optional Splash Guard / sold separately)

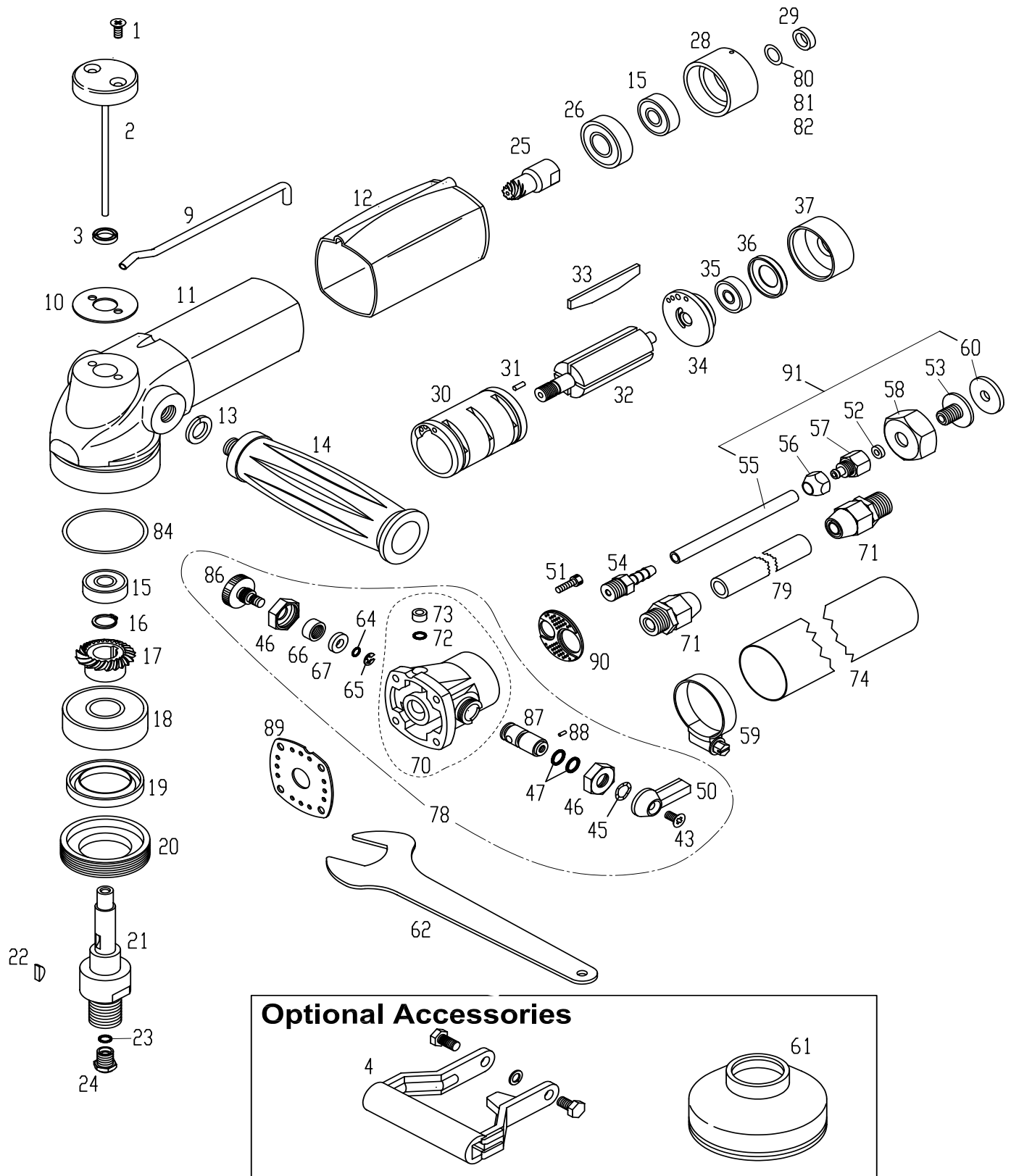
Part No: AIR-658
VERSION 6

 **Alpha Professional Tools**[®]

103 Bauer Drive, Oakland, NJ 07436 • 800-648-7229 • Fax: 800-286-0114
www.alpha-tools.com

► ALPHA® PNEUMATIC AIR POLISHER SCHEMATIC (AIR-658 VERSION 6)

This Schematic is valid for Air Tools purchased after January 2010.



► ALPHA® PNEUMATIC AIR POLISHER PARTS LIST (VERSION 6)

DRAWING NO.	PART NO.	ITEM DESCRIPTION	MSRP
1	658-01	Screw M4x10	\$ 1.48
2	658-02	Pipe-joint Assembly	\$ 24.92
3	516-44	Oil Seal	\$ 5.71
4	AWP-21A	C-shaped Handle for Air Tools*	\$ 23.52
9	658-09	W-pipe	\$ 6.24
10	658-10	Head Packing	\$ 1.55
11	658-11	Body	\$ 71.44
12	658-12	Body Cover	\$ 15.57
13	658-13	Spring Washer M10	\$ 1.55
14	658-14	Grip	\$ 15.75
15	516-20	Bearing 608 ZZ	\$ 7.14
16	658-16	Snap Ring	\$ 1.55
17	658-17	Spiral Bevel Gear	\$ 37.40
18	516-48	Bearing 6302 ZZ	\$ 10.40
19	658-49	Oil Seal	\$ 5.71
20	658-50	44 Nut	\$ 14.31
21	658-21	Gear Shaft 5/8-11 Thread	\$ 54.52
22	658-22	Half Moon Key	\$ 1.86
23	658-23	O-ring	\$ 1.55
24	658-24	5/8 Nozzle	\$ 7.80
25	658-25	Spiral Bevel Pinion	\$ 18.68
26	516-18	Bearing 6001 ZZ	\$ 7.14
28	658-28	F-Bearing Case	\$ 18.68
29	658-29	Rotor Spacer	\$ 3.11
30	658-30	Cylinder (Inc. Part# 658-31)	\$ 93.47
31	658-31	Spring Pin	\$ 1.55
32	658-32	Rotor	\$ 37.40
33	516-25	Vane (4 Piece Set)	\$ 22.84
34	516-26	R-Bearing Case	\$ 28.59
35	516-27	Bearing 626 ZZ	\$ 7.14
36	516-28	Bearing Cap	\$ 4.29
37	658-37	Air Inlet Case	\$ 4.67
43	658-43	Screw M4x10	\$ 1.48
45	658-45	Wave Washer	\$ 1.88
46	658-46	Nut M14	\$ 7.36
47	658-47	O-ring	\$ 2.30
50	658-50	Valve Lever	\$ 18.68
51	658-51	Screw M4x15	\$ 1.72
52	133236	Compression Washer	\$ 1.29
53	133230	Sleeving Connector	\$ 1.89
54	658-54	Nipple	\$ 4.67
55	133229	Water Hose 8mm OD x 10ft (3m)	\$ 7.53
56	133231	Compression Nut	\$ 1.89

► ALPHA® PNEUMATIC AIR POLISHER PARTS LIST (VERSION 6)

DRAWING NO.	PART NO.	ITEM DESCRIPTION	MSRP
57	133234	Adapter Fitting	\$ 4.43
58	133232	Water Hose Adapter	\$ 2.92
59	658-59	Clamp	\$ 6.24
60	133233	Gasket 24.5x7x3	\$ 0.18
61	AWP-01	Rubber Splash Guard*	\$ 3.65
62	658-62	Wrench 22mm	\$ 7.80
64	658-64	O-ring	\$ 1.54
65	658-65	R-ring	\$ 1.85
66	658-66	Nut M8	\$ 4.66
67	658-67	Washer 05	\$ 3.09
70	658-70	Endcase w/Bushing (Inc. Part# 658-72 & 658-73)	\$ 64.28
71	516-79-2	Air Hose Joint 1/4" BSPP	\$ 5.71
72	658-72	O-ring	\$ 1.44
73	658-73	Bushing 07	\$ 2.22
74	658-74	Exhaust Hose	\$ 20.24
78	658-78	Complete Endcase Assembly	\$119.09
79	516-79-1	Air Hose 10mm OD x 3M	\$ 34.90
80	658-80	Shim 01mm x 12mm OD	\$ 0.82
81	658-81	Shim 03mm x 12mm OD	\$ 0.82
82	658-82	Shim 05mm x 12mm OD	\$ 0.82
84	658-84	Shim 01mm x 84mm OD	\$ 2.04
85	658-85	Oval Key 10mm	\$ 1.86
86	658-86	Water Valve	\$ 18.67
87	658-87	A-Valve	\$ 21.54
88	658-88	Needle Pin	\$ 1.67
89	658-89	Body Gasket	\$ 4.68
90	658-90	Silencer	\$ 9.39
91	133287	Water Hose Assembly	\$ 16.98
Not Shown	AIR-008	Air Polisher Lube Oil 8oz	\$ 8.50
Not Shown	ST055	44-Nut Wrench	\$ 55.34

*(Optional / sold separately)

► ALPHA® PNEUMATIC AIR POLISHER PARTS LIST (VERSION 2)

The following tool parts below are discontinued, please refer to the corresponding Part Nos. above for reference.

DRAWING NO.	PART NO.	DESCRIPTION	MSRP
38	658-38	Body Packing (See Part No. 658-89 Version 5)	\$ 4.68
52	658-52	Silencer (See Part No. 658-90 Version 5)	\$ 9.39
53	658-53	Liner (See Part No. 658-90 Version 5)	\$ 9.39
63	658-63	Needle Valve (See Part No. 658-86 Version 5)	\$ 18.67
68	658-68	A-valve (Inc. Part# 658-69) (See Part No. 658-87 Version 5)	\$ 21.54
69	658-69	Needle Pin (See Part No. 658-88 Version 5)	\$ 1.67