

Alpha[®] Wet Stone Cutter

Parts List and Schematic



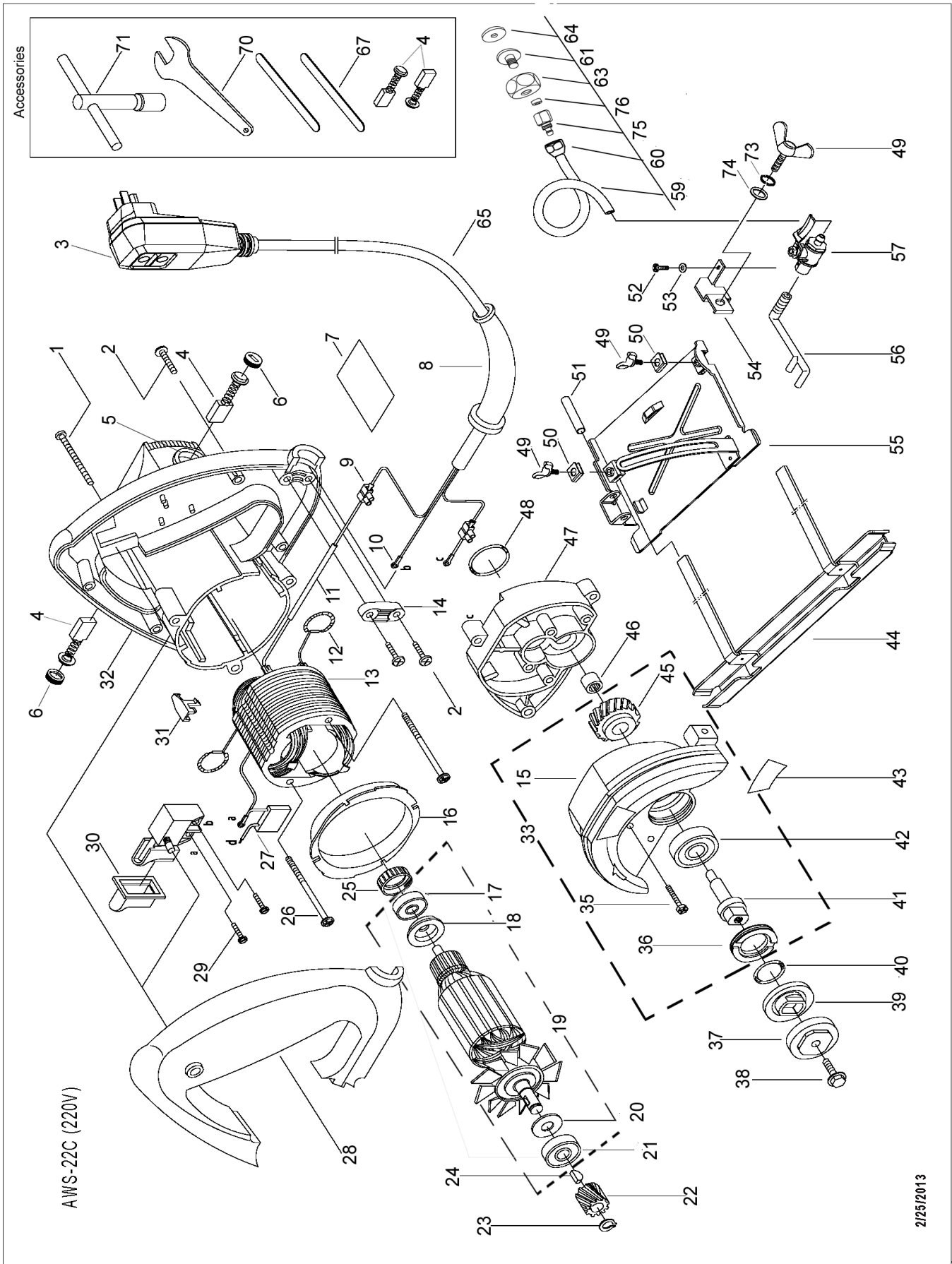
Part No: AWS-110 / AWS-220

 **Alpha Professional Tools[®]**

103 Bauer Drive, Oakland, NJ 07436 • 800-648-7229 • Fax: 800-286-0114
www.alpha-tools.com

AWS-110/220 PART LIST AND SCHEMATIC
FEBRUARY 2013

ALPHA® AWS-110 WET STONE CUTTER SCHEMATIC



AWS-22C (220V)

2/25/2013

ALPHA® AWS-110 WET STONE CUTTER PARTS LIST

Drawing No.	Part No.	Item Description	MSRP
1	133080	Screw M5×40	\$ 0.94
2	130031	Self-tapping Screw 3.9 x 19	\$ 0.30
3	133289/133292	GFCI 110V/220V	\$32.52
4	133033	Carbon Brush (2pc set)	\$ 7.14
5	133031	Brush Holder	\$ 1.81
6	133032	Brush Cap	\$ 1.26
7	133241/133240	Rated Plate 110V/220V	\$ 0.16
8	133047	Cable Sleeve	\$ 1.08
9	130618	Block Terminal	\$ 0.35
10	133040	Wire Terminal	\$ 0.16
11	133042	Insulation Pipe	\$ 0.32
12	133034	Brush Terminal Assembly	\$ 1.86
13	133436/133004	Field Coil 110V/220V	\$38.01
14	133086	Cable Clamp	\$ 0.19
15	133055	Cover	\$ 7.12
16	133030	Air Bridge	\$ 0.90
17	133025	Bearing 608-2RZ	\$ 5.90
18	133024	Insulation Disc	\$ 0.17
19	133439/133012	Armature 110V/220V	\$45.45
20	133026	Bearing Cover	\$ 0.17
21	133027	Bearing 629-2RZ	\$ 5.71
22	133048	Gear (Small)	\$ 8.66
23	133051	Snap Ring M8	\$ 0.05
24	133050	Woodruff Key	\$ 0.45
25	133028	Bearing Sleeve	\$ 0.78
26	133029	Self-tapping Screw 4.8×65	\$ 0.49
27	133392	Condenser Assembly	\$ 0.93
28	133254	Handle (for AWS-110)	\$ 3.59
29	133043	Switch (With Screw)	\$14.41
30	133044	Rubber Switch Cover	\$ 0.64
31	133041	Cable Clip	\$ 0.34
32	133003	Rear Motor Housing (Blue)	\$13.59
33	133054	Spindle Assembly for AWS-110	\$44.44
35	133079	Screw M4×25	\$ 0.94
36	133060	Screw Cap	\$ 1.81
37	133082	Flange II (for AWS-110)	\$ 1.68
38	133464	Screw M6x20 - left	\$ 1.47
39	133081	Flange I (for AWS-110)	\$ 1.68

ALPHA® AWS-110 WET STONE CUTTER PARTS LIST

Drawing No.	Part No.	Item Description	MSRP
40	133062	O Ring 18×2.5	\$ 0.23
41	133057	Spindle (for AWS-125)	\$ 8.83
42	133053	Ball Bearing 6201-2RS	\$ 9.28
43	133242	Brand Poster	\$ 0.40
44	133266	TT Ruler Guide (for AWS-110)	\$ 9.11
45	133058	Gear (Big)	\$10.25
46	133066	Needle Bearing Bk 0810	\$ 5.76
47	133255	Gear Box	\$12.13
48	133067	O-Ring 25.5 x 2	\$ 0.22
49	133084	Wing Screw	\$ 0.96
50	133269	Washer For Ruler	\$ 0.64
51	133085	Pin 6x28	\$ 0.16
52	133107	Screw M3x5	\$ 0.04
53	133108	Lock Washer M3	\$ 0.05
54	133094	Water Valve Bracket (for AWS-110/125)	\$ 0.48
55	133271	Base plate assembly	\$16.50
56	133093	Nozzle (for AWS-110)	\$ 5.25
57	133362	Water Valve (for AWS-110/125)	\$ 5.22
59	133229	Water Hose 8mm ODx10ft (3m)	\$ 7.53
60	133231	Compression Nut	\$ 1.89
61	133230	Sleeving Connector	\$ 1.89
63	133232	Water Hose Adapter	\$ 2.92
64	133233	Hose Washer (Rubber)	\$ 0.18
65	133291/133237	Cable 110V/220V	\$10.88
67	133369	Felt Strip Set	\$ 1.39
70	133097	Spanner Wrench M 22	\$ 1.86
71	133098	T-Handle Wrench	\$ 1.86
73	133071	Flat Washer M6	\$ 0.14
74	133072	Spring Washer M6	\$ 0.14
75	133234	Adapter Fitting	\$ 4.43
76	133236	Compression Washer	\$ 1.29
Not Shown	133441	BMC (Blow Mold Case) for AWS-110/125	\$14.10