

Alpha[®] High-Speed Angle Grinder Parts List and Schematic



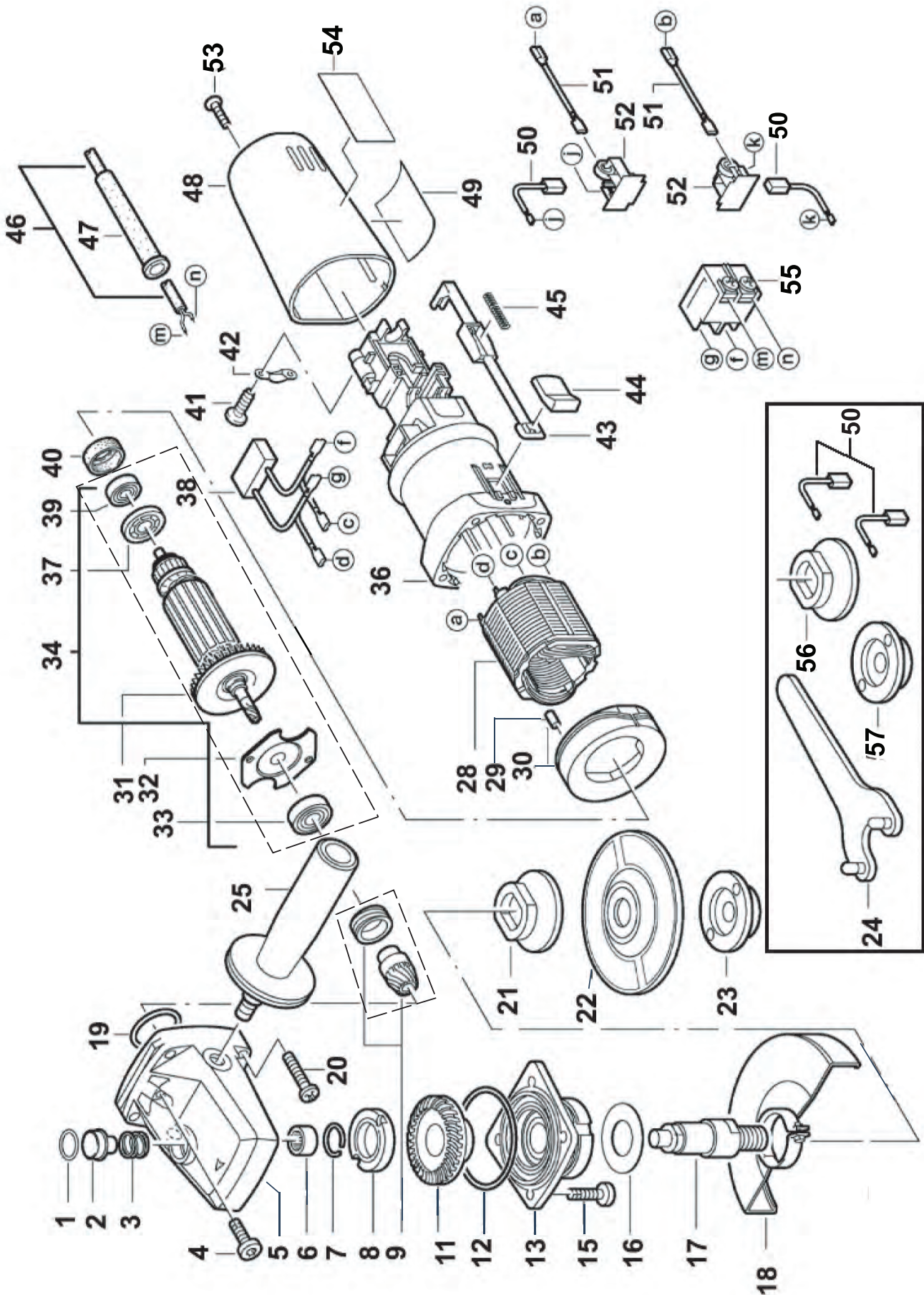
Part No: HSG-125

 **Alpha Professional Tools**[®]

103 Bauer Drive, Oakland, NJ 07436 • 800-648-7229 • Fax: 800-286-0114
www.alpha-tools.com

HSG-125 PARTS LIST AND SCHEMATIC
JANUARY 2013

ALPHA® HSG-125 SCHEMATIC



ALPHA® HSG-125 PARTS LIST

DRAWING NO.	PART NO.	ITEM DESCRIPTION	MSRP
1	130391	O Ring 16x2	\$ 0.13
2	130390	Lock	\$ 1.26
3	130389	Spring	\$ 0.08
4	130388	Screw M4x7	\$ 0.17
5	130384	Gear Box Assembly	\$11.97
6	130458	Needle Bearing HK0709F (7x11x9)	\$ 5.23
7	130450	Snap Ring 13.5x1.2	\$ 0.17
8	130426	Lock Flange	\$ 3.08
9	130420	Small Gear+Oil Wiper	\$ 3.63
11	130442	Big Gear	\$ 10.06
12	130386	O Ring 54x1.5	\$ 0.19
13	130443	Gearbox Cover	\$ 5.17
15	130695	Screw M4x12	\$ 0.16
16	130399	Washer 17.2x30x0.2	\$ 0.19
17	136034	Spindle (5/8"-11)	\$ 7.46
18	130653	Protective Cover	\$ 4.36
19	130387	O Ring 28x2	\$ 0.18
20	131187	Self-tapping Screw 3.9 x 28	\$ 0.13
21	136038	Inside Flange (22.2mm)	\$ 2.49
22	Not Included	Cutting Wheel	XXXXXXXXXX
23	136039	Locking Flange	\$ 2.68
24	130434	Pin Spanner Wrench 34mm	\$ 3.91
25	130433	Side Handle for HSG-125	\$ 7.06
28	136027	Field Coil	\$18.34
29	130190	Rubber Insert Φ 5x7.5	\$ 0.06
30	130410	Air Bridge	\$ 0.34
31	130069	Fan	\$ 1.46
32	130418	Flange	\$ 1.43
33	130419	Ball Bearing 609-2RZ/C3 (9x24x7)	\$ 7.38
34	136044	Armature Assembly	\$31.79
36	130407	Rear Motor Housing (Blue)	\$ 9.00
37	130376	Insulation Disc	\$ 0.11
38	130657	Condenser Assembly	\$ 0.79
39	130381	Ball Bearing 607-2Z (7x19x6)	\$ 7.17
40	130375	Bearing Sleeve	\$ 5.13
41	130027	Self-tapping Screw 3.9 X9.5	\$ 0.24
42	130026	Cable Clip	\$ 0.17
43	130415	Switch Rod	\$ 0.37
44	130416	Rod Button	\$ 0.50
45	130417	Rod Spring	\$ 0.17
46	136045	Cable	\$ 8.90

ALPHA® HSG-125 PARTS LIST

DRAWING NO.	PART NO.	ITEM DESCRIPTION	MSRP
47	130428	Cable Sleeve	\$ 0.39
48	130549	Rear Cover	\$ 5.31
49	136035	Rated Plate	\$ 0.24
50	136046	Carbon Brush (2 pc Set)	\$ 6.85
51	130413	Connector (0.045m)	\$ 0.71
52	130411	Brush Holder	\$ 1.12
53	130031	Self-tapping Screw 3.9 x 19	\$ 0.30
54	136036	Brand Label	\$ 0.34
55	135735	Switch	\$ 4.35
56	136040*	Inside Flange (20mm)	\$ 2.49
57	136041*	Locking Flange (20mm)	\$ 2.68

*Only available with the HSG-125.