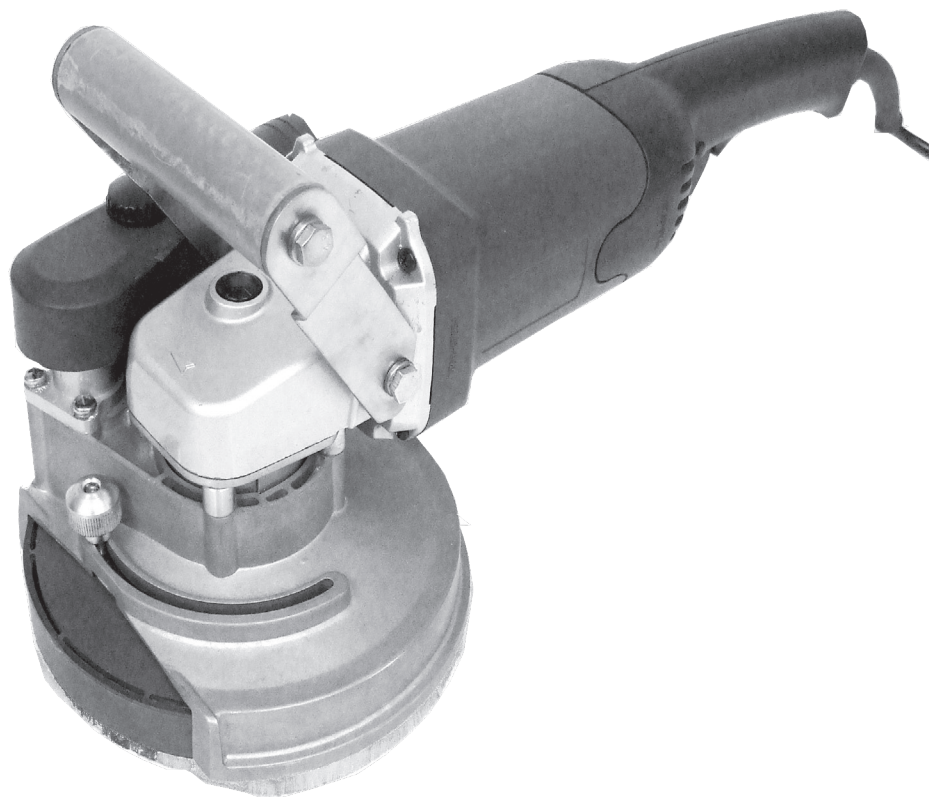


# Alpha<sup>®</sup> Eco grinder

## Parts List and Schematic



**Part No: ECG-125/ECG-225**

---

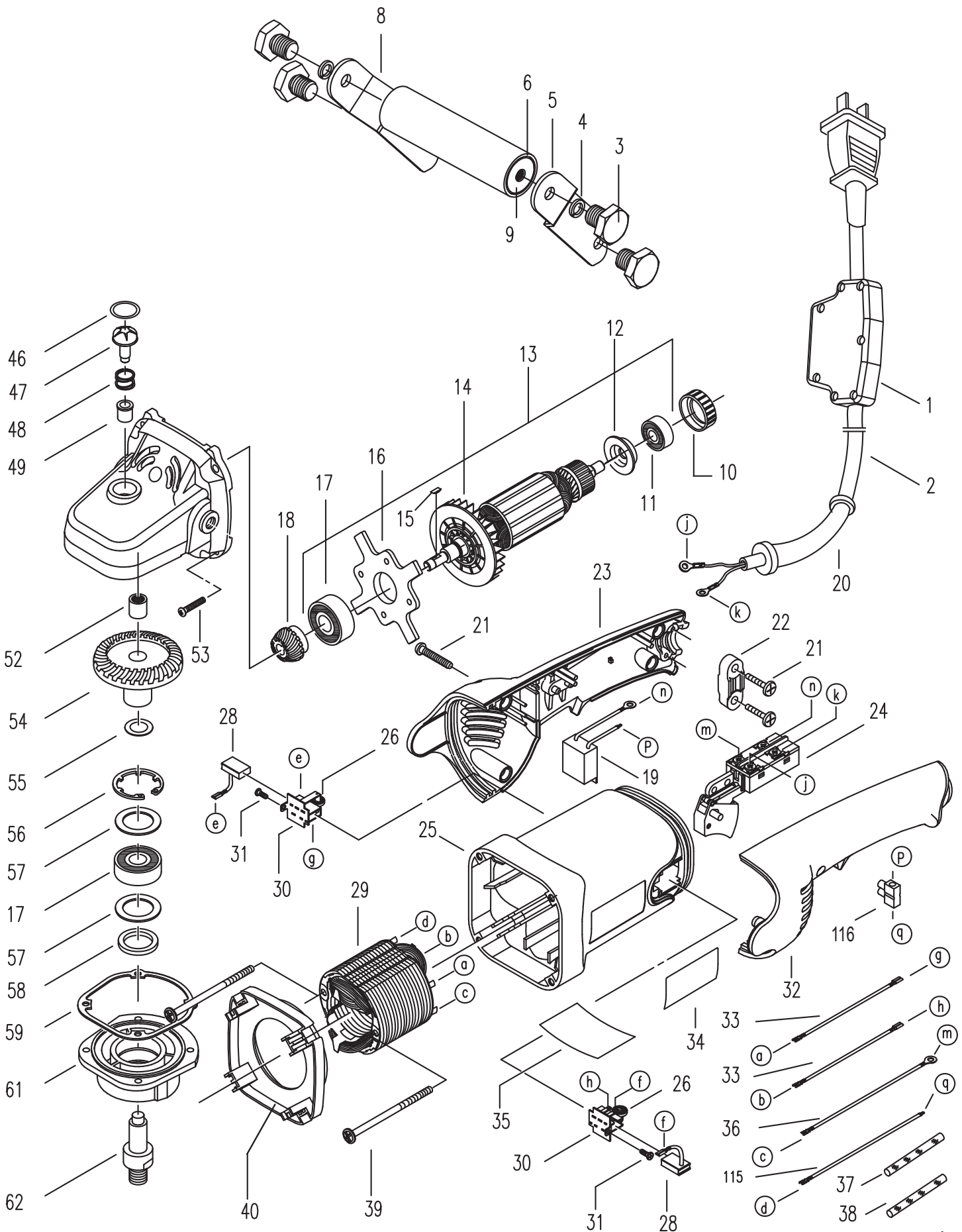
 **Alpha Professional Tools**<sup>®</sup>

103 Bauer Drive, Oakland, NJ 07436 • 800-648-7229 • Fax: 800-286-0114  
[www.alpha-tools.com](http://www.alpha-tools.com)

**ECG-125/ECG-225 PARTS LIST AND SCHEMATIC**  
**FEBRUARY 2013**

Copyright © 2009 Alpha Professional Tools. All rights reserved.

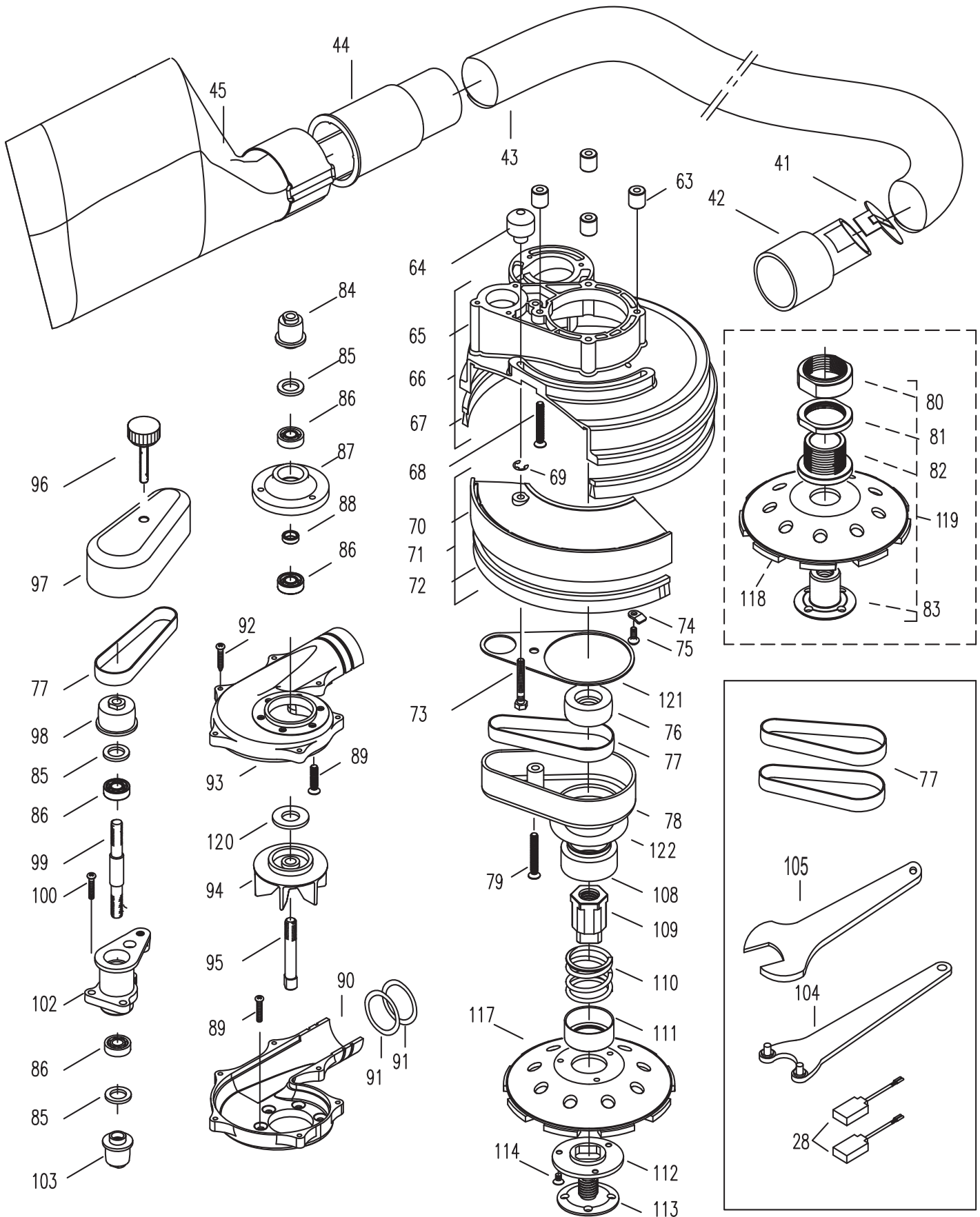
# ALPHA® ECOGRINDER MOTOR SCHEMATIC (ECG-125)



Need More Info? Visit us on the web at [www.alpha-tools.com](http://www.alpha-tools.com)

# ALPHA® ECOGRINDER ATTACHMENT SCHEMATIC

EcoGrinder (110V/220V)



## ALPHA® ECOGRINDER PARTS LIST (ECG-125)

DRAWING NO.	PART NO.	DESCRIPTION	MSRP
1	801373/801374	Breaker Assembly (w/case) 110V/220V	\$8.86
2	801324/801350	Power Cord 110V/220V	\$13.97
3	801359	Screw M8 x 15	\$0.33
4	801360	Lock Washer M8	\$0.07
5	801355	Handle Bracket -Left	\$1.18
6	801358	Handle Cover	\$1.43
8	801356	Handle Bracket -Right	\$1.18
9	801357	Handle Tube	\$6.33
10	133028	Bearing Sleeve	\$0.78
11	133025	Bearing 608-2RZ	\$5.90
12	133024	Insulation Disc	\$0.17
13	801321/801014	Armature Assembly 110V/220V	\$46.29
15	133050	Woodruff Key	\$0.45
16	801022	Armature Retainer Plate	\$1.46
17	133053	Bearing 6201-2RS	\$9.28
18	801064	Gear (small)	\$9.34
19	801384/801635	Soft Starter Assembly 110V/220V	\$5.23
20	133047	Cable Sleeve	\$1.08
21	130031	Self-Tapping Screw 3.9 x 19	\$0.30
22	133086	Cable Clamp	\$.19
23	801116	Handle-Right	\$3.67
24	801038	Switch w/ screws	\$16.74
25	801003	Motor Housing	\$8.24
26	801030	Carbon Brush Spring	\$0.94
28	801594	Carbon Brush (2 pc set)	\$9.07
29	801318/801004	Field Coil 110V/220V	\$30.16
30	801029	Carbon Brush Holder	\$2.56
31	801080	Self-Tapping Screw 1.9 x 5	\$0.07
32	801117	Handle-Left	\$3.67
33	801033	Wire (Coil to CB holder)	\$0.70
34	801362	Alpha® Name Plate	\$0.26
35	801361	Builders Plate 110V	\$0.11
36	801032	Wire (Coil to Switch)	\$0.81
37	801034	Insulation Pipe 4mm x 55mm (white)	\$0.32
38	801311	Insulation Pipe 5mm x 55mm (white)	\$0.32
39	801026	Self-Tapping Screw 4.8 x 63	\$0.32
40	801024	Air Bridge	\$2.10
41	133530	Anti-Back-Flow Flap	\$1.21
42	133531	Dust Gate	\$2.00
43	133533	Dust Hose	\$20.70

## ALPHA® ECOGRINDER PARTS LIST (ECG-125)

DRAWING NO.	PART NO.	DESCRIPTION	MSRP
44	133532	Dust Bag Holder	\$2.43
45	133544	Dust Bag w/strap 17"x13-1/2"x12"	\$12.81
46	130391	O-Ring 16 x 2	\$0.13
47	801076	Locking Pin	\$1.66
48	130389	Spring	\$0.08
49	130395	Bushing	\$0.13
50	801071	Gear Housing	\$14.17
52	130096	Bearing HK 0810	\$5.76
53	801079	Self-Tapping Screw 4.8 x 22	\$0.32
54	801058	Gear (Big)	\$11.94
55	801061	Washer	\$0.18
56	801067	Snap Ring	\$0.74
57	801063	Bearing Cover	\$0.70
58	801056	Felt Ring 20 x 27 x 1.5	\$0.92
59	801074	Gasket	\$1.02
61	801054	Bearing Housing	\$6.96
62	801326	Spindle	\$7.43
63	801330	Spacer Sleeves	\$8.20
64	801342	Knob Nut	\$8.10
65	801328	Main Casing	CALL
66	801344	Main Casing (w/ brush)	\$52.61
67	801343	Brush Ring-Long (press fit installed by service center )	CALL
68	801322	Screw M4 x 32	\$0.54
69	130798	Retainer Ring-E	\$0.16
70	801352	Slide Cover	CALL
71	801345	Slide Cover (w/ brush)	\$10.45
72	801365	Brush Ring-Short (press fit installed by service center)	CALL
73	801341	Screw M5 x 35	\$1.39
74	801340	Retainer Clip	\$0.18
75	135251	Screw M4 x 6	\$0.48
76	801337	Bottom Pulley	\$8.06
77	801602	Fan Belt Set (2 pc set)	\$18.10
78	801351	Inner Cover	\$1.35
79	133515	Screw M5 x 30 (Use Part # 133513)	\$0.49
80	801347	Adjust Nut	\$8.32
81	801348	Lock Nut	\$8.02
82	801346	Adjust Screw	\$9.07
83	801349	Flange Nut	\$12.59

## ALPHA® ECOGRINDER PARTS LIST (ECG-125)

DRAWING NO.	PART NO.	DESCRIPTION	MSRP
84	801336	Pulley (Outside Small)	\$7.15
85	133502	Felt Rings D19xD12xT2	\$0.88
86	133492	Bearing 698 2-RS	\$7.83
87	133500	Bearing Housing	\$9.81
88	133498	Spacer D12xD8.5x4T	\$2.38
89	133505	Cap Screw M5 x 10	\$0.45
90	133497	Fan Case -Right	\$2.56
91	133067	O-Ring 25.5 x 2	\$0.21
92	133460	Self-Tapping Screw 3.9 x 16	\$0.13
93	133493	Fan Case -Left	\$2.56
94	801334	Fan	\$2.76
95	801335	Fan Shaft	\$5.97
96	133511	Knob Bolt	\$0.50
97	133510	Outer Cover	\$1.76
98	801332	Pulley (Outside Large)	\$7.15
99	801331	Pulley Shaft	\$6.66
100	133512	Screw M5 x 15	\$0.60
102	133486	Housing Adapter	\$6.92
103	801333	Pulley (Inside Small)	\$7.01
104	130434	Pin Spanner Wrench 34 mm	\$3.73
105	801380	Wrench 24mm	\$1.77
108	801375	Spring Retainer -Top	\$6.24
109	801376	Flange Nut	\$7.08
110	801377	Spring	\$2.78
111	801378	Spring Retainer -Bottom	\$5.48
112	801381	Drive Plate Adapter	\$2.90
113	801379	Flange Bolt	\$6.18
114	801382	Flat Head Screw M4x6	\$0.07
115	801385	Wire (Field Coil to Block Terminal)	\$0.66
116	130618	Block Terminal	\$0.34
117	DSQ0500	Segmented Grinding Cup Wheel w/ 26mm Arbor	\$87.69
118	DEC005*	Segmented Grinding Cup Wheel w/ 7/8" Arbor	\$87.69
119	890001*	Manual Height Adjustment Flange Assembly (80-83)	\$32.71
120	133615	Felt Rings D26.6xD12.5xT2	\$1.00
Not Shown	801392	Dust Bag for Carriage 16x13-1/2x8	\$12.20
121	801629	Inner Cover Gasket	\$1.00
122	801630	Dust Shield D60xD42xT0.35	\$1.00

\*Part # DEC005 is not included, sold separately.

\*Part # 890001 is not included, sold separately.