

# Alpha<sup>®</sup> Wet Portable Electric Polisher

## Parts List and Schematic



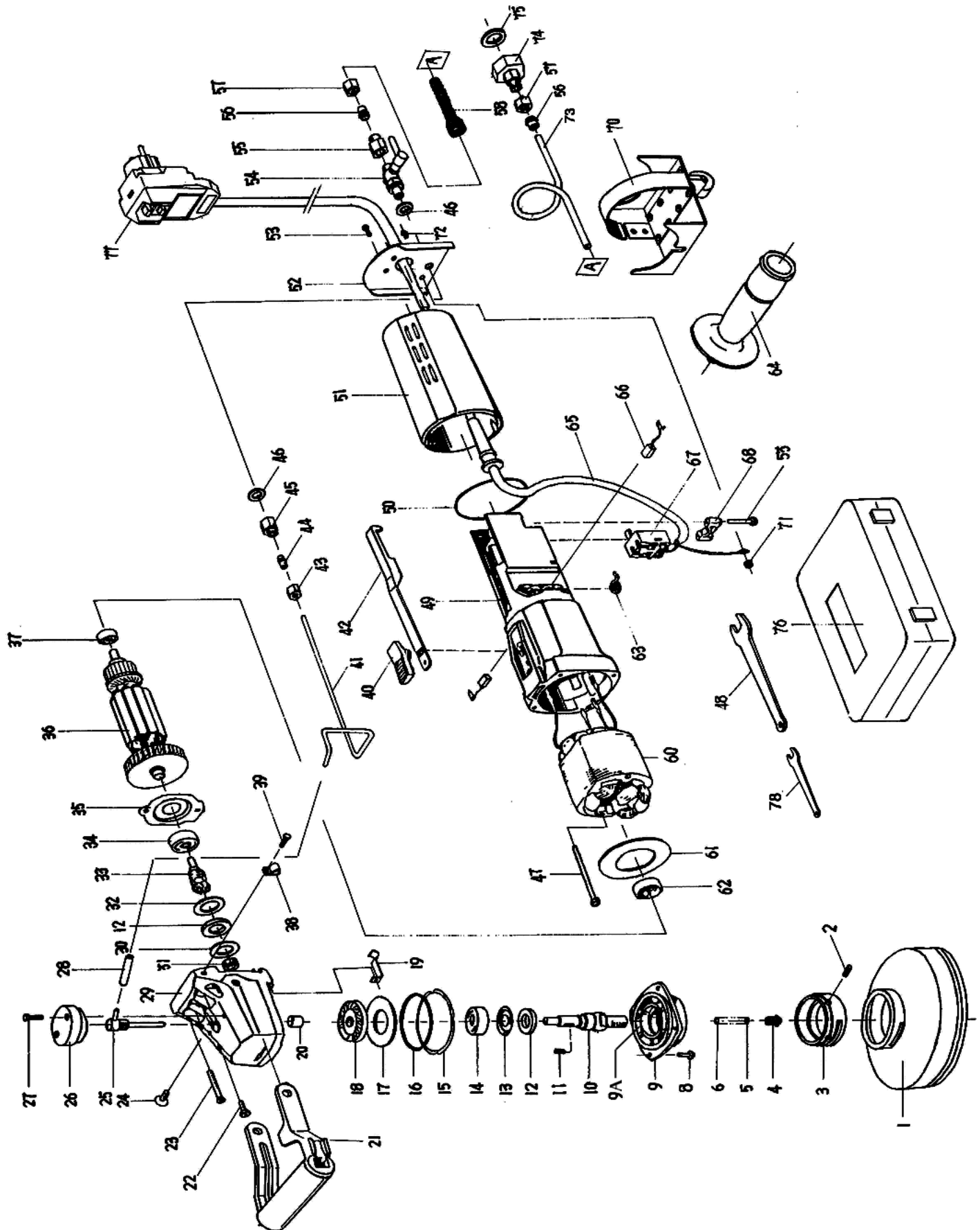
Part No: AWP-158

---

 **Alpha Professional Tools**<sup>®</sup>

103 Bauer Drive, Oakland, NJ 07436 • 800-648-7229 • Fax: 800-286-0114  
[www.alpha-tools.com](http://www.alpha-tools.com)

► ALPHA® AWP-158 WET POLISER SCHEMATIC



► ALPHA® AWP-158 WET POLISHER PARTS LIST

Drawing No.	Part No.	Item Description	MSRP
1	AWP-01	Rubber splash guard	\$ 3.65
2	AWP-02	Set screw M5X4	\$ 0.06
3	AWP-03	Ring adapter	\$ 3.02
4	AWP-04	Water jet	\$ 3.02
5	AWP-05	Supporting ring	\$ 0.37
6	AWP-06	Gasket	\$ 0.37
8	AWP-08	Hex Head screw M4X12	\$ 2.26
9	AWP-09	Gear Cap	\$ 2.92
9A	AWP-34-1	Rubber Plug	\$ 0.55
10	AWP-10A / AWP-10B	Spindle 5/8"-11/ M14-2	\$ 7.31
11	AWP-11	Key	\$ 0.82
12	AWP-12	Sealing Ring	\$ 0.92
13	AWP-13	Ring cover	\$ 0.24
14	AWP-14	Ball bearing 6001ZZ	\$ 10.26
15	AWP-15	Distance ring	\$ 0.94
16	AWP-16	Sealing Ring 48X1.2	\$ 0.52
17	AWP-17	Spring Washer 25mm O.D.	\$ 0.82
18	AWP-18	Crown wheel	\$12.79
19	AWP-19	Water line clip	\$ 0.43
20	AWP-20	Bushing Brass 13mm OD	\$ 0.49
21	AWP-21	Handle (C-shaped) for AWP-158	\$23.52
22	AWP-22	Screw M4x8	\$ 0.73
23	AWP-23	Self-tapping Screw 3.9X30	\$ 0.73
24	AWP-24	Screw M8X16	\$ 1.10
25	AWP-25	Center water feed tube	\$ 3.02
26	AWP-26	Center water feed adapter	\$ 1.46
27	AWP-27	Screw M4X25	\$ 0.47
28	AWP-28	Hose 8x5x4	\$ 0.31
29	AWP-29	Gear Case	\$18.90
30	AWP-30	Washer 23mm	\$ 0.12
31	AWP-31	Threaded Bushing	\$ 0.15
32	AWP-32	Washer 25.5mm OD	\$ 0.12
33	AWP-33	Pinion Gear	\$18.05
34	AWP-34	Ball bearing 6000DDW	\$ 7.27
	AWP-34-1	Rubber Plug	\$ 0.55
35	AWP-35	Bearing cover	\$ 1.33
36	AWP-36C / AWP-36D	Armature Assembly -110V / 220V	\$83.71
37	AWP-37	Ball bearing 607DDW	\$ 8.29

► ALPHA® AWP-158 WET POLISHER PARTS LIST

Drawing No.	Part No.	Item Description	MSRP
38	AWP-38	Water line clip/small	\$ 0.71
39	AWP-39	Screw M4X8	\$ 0.44
40	AWP-40	Switch Lever	\$ 0.94
41	AWP-41	Water Pipe	\$ 3.44
42	AWP-42	Switch Rod	\$ 0.54
43	AWP-43	Compression Nut	\$ 2.67
44	AWP-44	Compression Ring (Brass)	\$ 2.35
45	AWP-45	Pipe Adapter	\$ 2.86
46	AWP-46	Gasket	\$ 0.30
47	AWP-47	Self-tapping Screw 3.9X60	\$ 0.34
48	AWP-48	26mm Stop Spanner	\$ 2.88
49	AWP-49	Motor Case with Brush Holder	\$18.48
50	AWP-50	Sealing Ring 61x1.2	\$ 0.79
51	AWP-51	Cover	\$ 4.38
52	AWP-52	Water Line Mounting Plate	\$ 2.46
53	AWP-53	Self-tapping Screw 3.9X20	\$ 0.30
54	AWP-54	Water Valve (for AWP-158)	\$ 10.42
55	AWP-55	Water Fitting Adapter	\$ 2.86
56	AWP-56	Compression Ring (Plastic)	\$ 2.35
57	AWP-57	Compression Nut	\$ 2.67
58	AWP-58	Hose protector	\$ 1.13
60	AWP-60A / AWP-60B	Field assembly - 110V / 220V	\$35.70
61	AWP-61	Fan Guide	\$ 0.82
62	AWP-62	Bearing Ring	\$ 0.51
63	AWP-63	Torsion spring	\$ 1.00
64	AWP-64	Handle B (Side handle)	\$ 7.44
65	AWP-65A / AWP-65B	Cord with GFCI - 110V / 220V	\$38.36
66	AWP-66	Carbon Brush (2pc set)	\$ 6.93
67	AWP-67	Switch	\$ 3.65
68	AWP-68	Strain relief	\$ 0.24
70	AWP-70	Flat Polishing Caster	\$12.79
71	AWP-71	Nut M4	\$ 0.08
72	AWP-72	Screw M4X6	\$ 0.05
73	133229	Water Hose 8mm ODx10ft (3m)	\$ 7.53
74	AWP-74	Hose Coupling	\$ 8.57
75	AWP-75	Gasket 24x14x3	\$ 0.24
76	AWP-76	BMC (Blow Mold Case) for AWP-158	\$14.62
77	AWP-77A / AWP-77B	GFCI 110V / 220V	\$32.52
78	AWP-78	Wrench 14mm	\$ 1.97