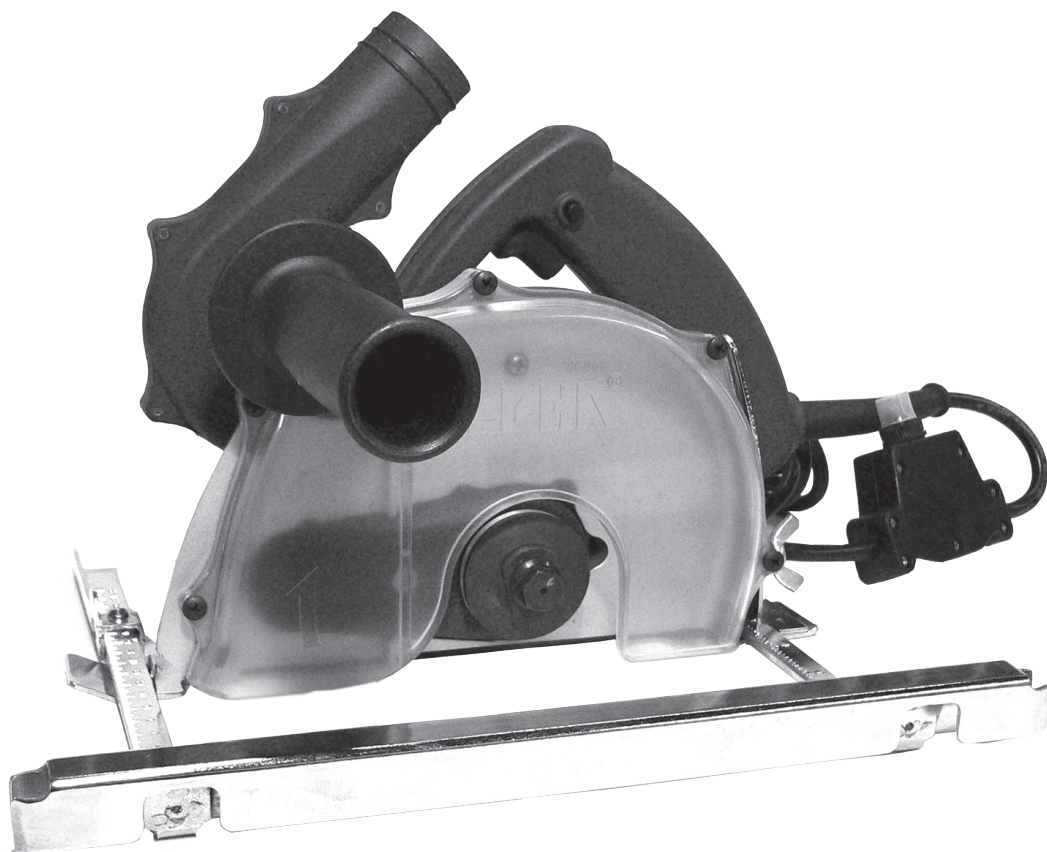

Alpha[®] Ecocutter

Parts List and Schematic



Part No: ECC-125/ECC-225

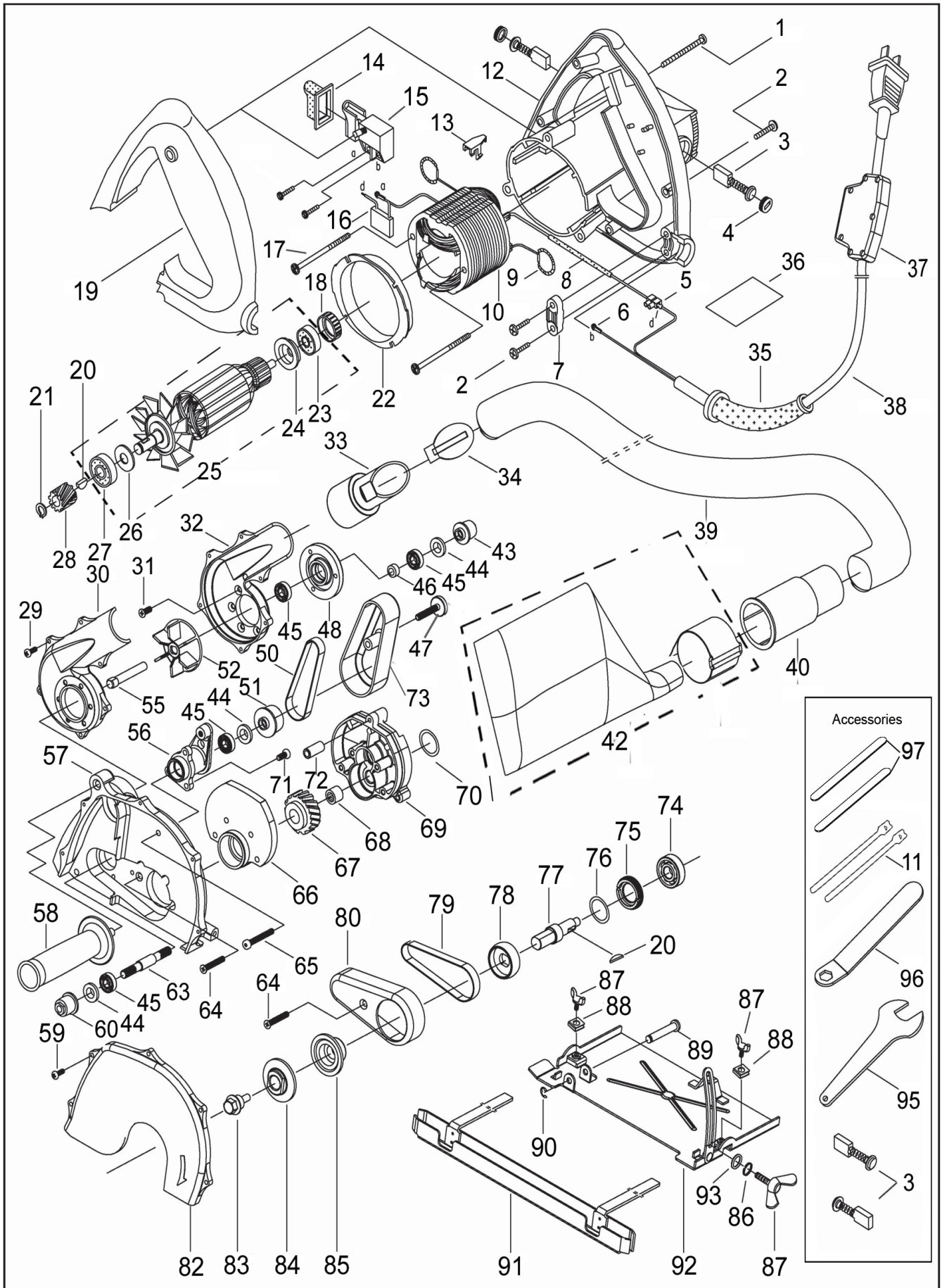
 **Alpha Professional Tools[®]**

103 Bauer Drive, Oakland, NJ 07436 • 800-648-7229 • Fax: 800-286-0114
www.alpha-tools.com

ECC-125/ECC-225 PARTS LIST AND SCHEMATIC
FEBRUARY 2013

Copyright © 2009 Alpha Professional Tools. All rights reserved.

ALPHA® ECOCUTTER SCHEMATIC (ECC-125)



ALPHA® ECOCUTTER PARTS LIST

Drawing No.	Part No.	Item Description	MSRP
1	133080	Screw M5x40	\$ 0.94
2	130031	Self-tapping Screw 3.9 x 19	\$ 0.30
3	133033	Carbon Brush (2pc set)	\$ 7.14
4	133032	Brush Cap	\$ 1.26
5	130618	Block Terminal	\$ 0.35
6	133040	Wire Terminal	\$ 0.16
7	133086	Cable Clamp	\$ 0.19
8	133042	Insulation Pipe	\$ 0.32
9	133034	Brush Terminal Assembly	\$ 1.86
10	133436/133004	Field Coil 110V/220v	\$38.01
11	133551	Hook & Loop Straps	\$ 2.03
12	133003	Rear Motor Housing (Blue)	\$13.59
13	133041	Cable Clip	\$ 0.34
14	133044	Rubber Switch Cover	\$ 0.64
15	133043	Switch (With Screw)	\$14.41
16	133392	Condenser Assembly	\$ 0.93
17	133029	Self-tapping Screw 4.8x65	\$ 0.49
18	133028	Bearing Sleeve	\$ 0.78
19	133078	Handle (for ECC-125)	\$ 3.59
20	133050	Woodruff Key	\$ 0.45
21	133051	Snap Ring M8	\$ 0.05
22	133030	Air Bridge	\$ 0.90
23	133025	Bearing 608-2RZ	\$ 5.90
24	133024	Insulation Disc	\$ 0.17
25	133439/133012	Armature 110V/220V	\$45.45
26	133026	Bearing Cover	\$ 0.17
27	133027	Bearing 629-2RZ	\$ 5.71
28	133048	Gear (Small)	\$ 8.66
29	133460	Self-Tapping Screw 3.9 x 16	\$ 0.13
30	133493	Fan Case L	\$ 2.69
31	133505	Cap Screw M5x10	\$ 0.47
32	133497	Fan Case R	\$ 2.69
33	133531	Dust Gate	\$ 2.00
34	133530	Anti Back-Flow Flap	\$ 1.21
35	133047	Cable Sleeve	\$ 1.08
36	133452/133547	Rated Plate 110V/220V	\$ 0.18
37	133475/133546	Breaker Assembly (w/cord)110V/220V	\$18.86
38	133474	Cord (w/o breaker) 110V	\$15.04
39	133533	Dust Hose	\$20.70
40	133532	Dust Bag Holder	\$ 2.43
42	133544	Dust Bag w/Strap 17"x13 1-1/2" x12"	\$12.81

ALPHA® ECOCUTTER PARTS LIST

Drawing No.	Part No.	Item Description	MSRP
43	133503	Pulley (Outside) 21mm OD LHT (Fan)	\$ 6.53
44	133502	Felt Rings D19xD12xT2	\$ 0.92
45	133492	Bearing 698 2RS	\$ 8.22
46	133498	Spacer D12xD8.5x4T	\$ 2.50
47	133511	Knob Bolt	\$ 0.53
48	133500	Bearing Housing	\$10.30
50	133508	Outer Belt 10x209mm	\$ 9.05
51	133488	Pulley (Outside) 24mm OD RHT	\$ 6.56
52	133495	Fan	\$ 2.91
55	133496	Fan Shaft	\$ 5.48
56	133486	Housing Adapter	\$ 7.27
57	133483	Main Housing	\$20.82
58	801086	Side Handle	\$ 7.27
59	133522	Screw M4x15 (for AWS-125/ECC-125)	\$ 0.45
60	133490	Pulley (Inside) 18mm OD RHT	\$ 6.43
63	133487	Pulley Shaft	\$ 6.02
64	133513	Screw M4 x 25	\$ 0.49
65	133545	Screw M5x40	\$ 0.45
66	133386	Gear Housing	\$ 9.84
67	133058	Gear (Big)	\$10.25
68	133066	Needle Bearing Bk 0810	\$ 5.76
69	133368	Gear Housing	\$ 9.08
70	133067	O-Ring 25.5 x 2	\$ 0.22
71	133512	Screw M5 x 15	\$ 0.63
72	133529	Sleeve	\$ 2.65
73	133510	Outer Cover	\$ 1.85
74	133053	Bearing 6201-2RS	\$ 9.28
75	133060	Screw Cap	\$ 1.81
76	133062	O Ring 18x2.5	\$ 0.23
77	133481	Spindle (for ECC-125)	\$ 9.31
78	133506	Pulley (Inside) 36mm OD Spindle	\$ 5.72
79	133509	Inner Belt 10x230mm	\$ 9.90
80	133514	Inner Cover	\$ 1.08
81	133515	Screw M5x30 (use part # 133513)	\$ 0.49
82	133521	Side Cover	\$ 5.92

ALPHA® ECOCUTTER PARTS LIST

Drawing No.	Part No.	Item Description	MSRP
83	133519	Flange Bolt	\$ 5.32
84	133518	Flange Outer (for ECC-125)	\$ 2.97
85	133516	Flange Inner (for ECC-125)	\$ 6.89
86	133071	Flat Washer M6	\$ 0.14
87	133084	Wing Screw	\$ 0.96
88	133269	Washer For Ruler	\$ 0.64
89	133528	Guide Pin	\$ 3.31
90	130798	Retaining Rings-E	\$ 0.16
91	133527	TT Ruler Guide (for ECC-125)	\$ 9.11
92	133523	Base Plate Assembly	\$16.50
93	133072	Spring Washer M6	\$ 0.14
95	133535	Wrench (for ECC-125)	\$ 0.94
96	133534	Hexagon Ring Spanner	\$ 0.91
97	133369	Felt Strip Set	\$ 1.39
98	133615	Felt Rings D26.6xD12.5xT2	\$ 1.05
99	133616	Dust Shield D43xD23xT0.35	\$ 1.05
100	133696	Inner Cover Gasket (for ECC-125)	\$ 1.38
(Not Shown)	133536	BMC (Blow Mold Case) for ECC-125	\$32.93
(Not Shown)	801392	Dust Bag for Carriage 16x13-1/2x8	\$12.81