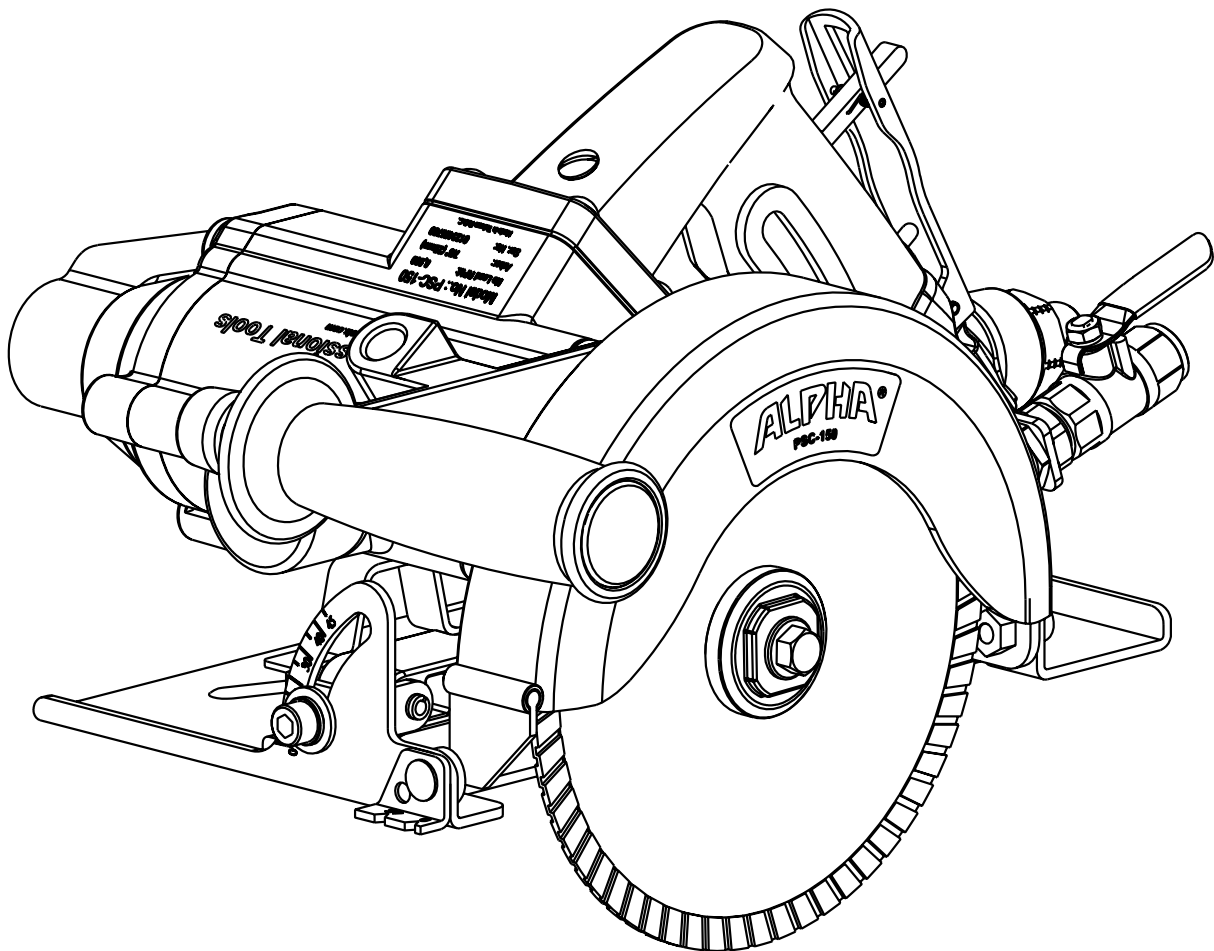

Alpha[®] 6" Pneumatic Stone Cutter Parts List



Part No: PSC-150
Version 2

 **Alpha Professional Tools**[®]

103 Bauer Drive, Oakland, NJ 07436 • 800-648-7229 • Fax: 800-286-0114
www.alpha-tools.com

ALPHA® PSC-150 6" PNEUMATIC STONE CUTTER SCHEMATIC

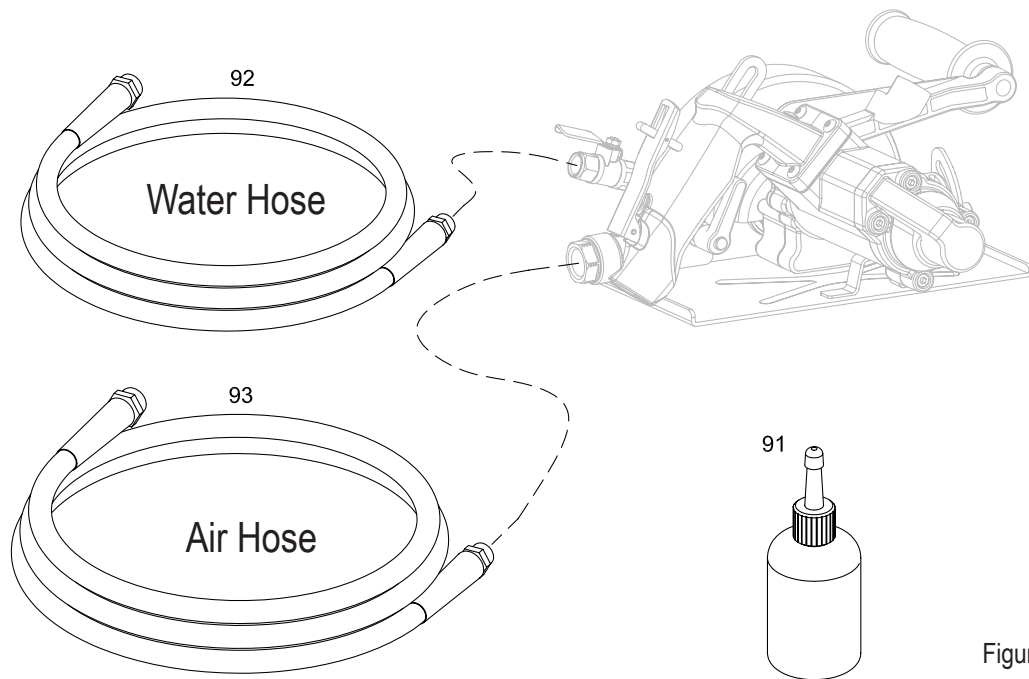
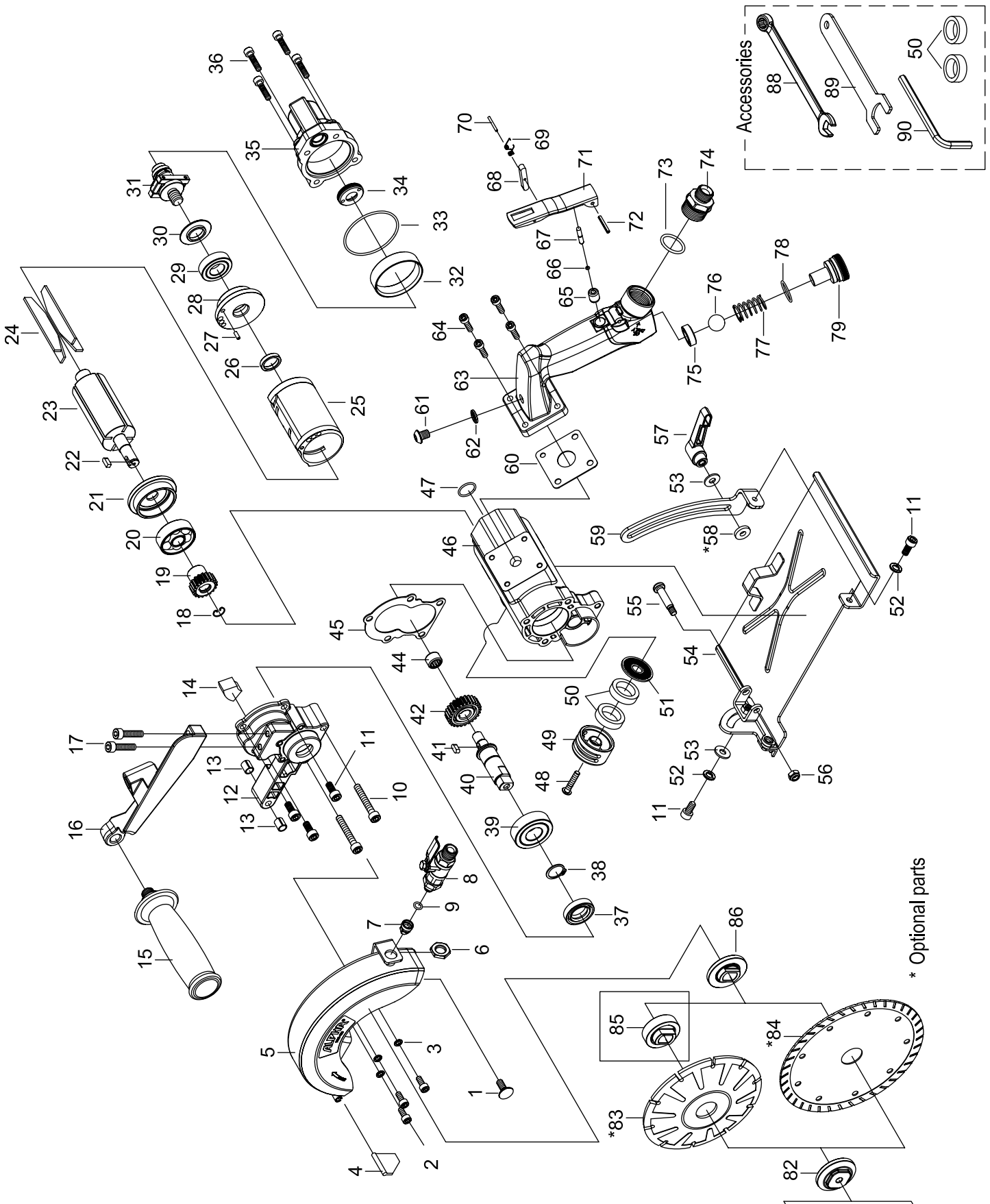


Figure 18

ADDITIONAL AVAILABLE SIZES FOR THE ALPHA® AIR AND WATER HOSE ASSEMBLY

PART NO.	LENGTH	DESCRIPTION
1030-0030	15ft./4.5m	Water Hose
1030-0031	15ft./4.5m	Air Hose
1030-0032	20ft./6.0m	Water Hose
1030-0033	20ft./6.0m	Air Hose
1030-0034	25ft./7.6m	Water Hose
1030-0035	25ft./7.6m	Air Hose
1030-0036	30ft./9.1m	Water Hose
1030-0037	30ft./9.1m	Air Hose
1030-0038	35ft./10.6m	Water Hose
1030-0039	35ft./10.6m	Air Hose
1030-0040	40ft./12.1m	Water Hose
1030-0041	40ft./12.1m	Air Hose

ALPHA® PSC-150 6" PNEUMATIC STONE CUTTER SCHEMATIC



ALPHA® PSC-150 6" PNEUMATIC STONE CUTTER PARTS LIST

DRAWING NO.	PART NO.	DESCRIPTION	QTY	MSRP
1	3001-0001	Carriage Bolt (M6X16)	1	1.27
2	3001-0002	Screw SHC (M5X12)	3	0.92
3	3001-0003	Lock Washer (M5)	3	0.29
4	3001-0004	Splash Guard Flap	1	1.11
5	3001-0005	6" Blade Guard	1	45.83
6	3001-0006	Nut	1	3.00
7	3001-0007	Spray Nozzle	1	6.63
8	3001-0008	Ball Valve (1/4"-18 NPSM)	1	12.44
9	3001-0009	O-Ring (M6X1.5)	1	0.60
10	3001-0010	Screw SHC (M6X40)	2	1.05
11	3001-0011	Screw SHC (M6X14)	5	0.92
12	3001-0012	Gear Case	1	49.50
13	3001-0013	DU Bearing	2	2.66
14	3001-0014	Oil Felt	1	3.11
15	3001-0015	Side Handle	1	10.98
16	3001-0016	Arm	1	13.57
17	3001-0017	Screw SHC (M6x25)	2	0.99
18	3001-0018	Snap Ring Internal (11mm)	1	0.95
19	3001-0019	Pinion Gear	1	34.54
20	3001-0020	Ball Bearing (6301)	1	10.23
21	3001-0021	Front End Plate	1	18.21
22	3001-0022	Key (4X10)	1	1.55
23	3001-0023	Rotor	1	54.18
24	3001-0024	Vane (4Pc Set)	1	30.44
25	3001-0025	Cylinder	1	38.12
26	3001-0026	Spacer	1	8.83
27	3001-0027	Spring Pin (M3x8)	1	0.75
28	3001-0028	End Plate	1	24.80
29	3001-0029	Ball Bearing (6002ZZ)	1	9.34
30	3001-0030	Washer	1	6.21
31	3001-0031	Governor Assembly	1	45.15
32	3001-0032	Air Guide Ring	1	6.26
33	3001-0033	O-Ring (M50x1.5)	1	0.78
34	3001-0034	Bushing	1	5.11
35	3001-0035	Rear Cover	1	39.26
36	3001-0036	Screw SHC (M5X22)	4	0.87
37	3001-0037	Oil Seal (UE17307)	1	3.68
38	3001-0038	Retaining Ring External (M17)	1	0.60
39	3001-0039	Ball Bearing (6203ZZ)	1	7.59
40	3001-0040	Spindle	1	41.24
41	3001-0041	Key (4X10)	1	1.36
42	3001-0042	Gear	1	40.54
44	3001-0044	Needle Bearing (BA66)	1	12.63
45	3001-0045	Gasket	1	1.62
46	3001-0089	Motor Housing	1	69.39
47	3001-0047	O-Ring (M15.5x1.5)	1	0.45
48	3001-0048	Screw Truss Head (M5x25)	1	0.68

ALPHA® PSC-150 6" PNEUMATIC STONE CUTTER PARTS LIST

DRAWING NO.	PART NO.	DESCRIPTION	QTY	MSRP
49	3001-0049	Exhaust Deflector	1	3.51
50	3001-0050	Muffler (2 Pcs Installed/2 Pcs Spare)	4	7.23
51	3001-0051	Air Filter	1	1.95
52	3001-0052	Spring Washer (M6x1.5)	2	0.55
53	3001-0053	Oversized Washer M6 (6.8IDx16ODx2T)	2	0.63
54	3001-0087	Base Plate	1	45.45
55	3001-0055	Shoulder Bolt	1	7.30
56	3001-0056	Nylock Nut (M6x1)	1	0.32
57	3001-0057	Adjustment Handle	1	10.75
58	3001-0085	Spacer Washer (1.0mm)	1	1.56
58	3001-0058	Spacer Washer (1.5mm)	1	1.56
58	3001-0086	Spacer Washer (2.0mm)	1	1.56
59	3001-0088	Positioning Plate	1	10.21
60	3001-0060	Gasket	1	1.30
61	3001-0061	Oil Screw (M8X10L)	1	1.66
62	3001-0062	Washer Brass (M8)	1	1.58
63	3001-0063	Handle	1	45.81
64	3001-0064	Screw SHC (M5X20L)	4	0.84
65	3001-0065	Bushing	1	1.25
66	3001-0066	O-Ring (2X1)	1	0.49
67	3001-0067	Valve Stem	1	2.42
68	3001-0068	Safety Bar	1	2.73
69	3001-0069	Spring	1	0.44
70	3001-0070	Spring Pin (2X18L)	1	0.32
71	3001-0071	Throttle Lever	1	5.60
72	3001-0072	Spring Pin (3X20L)	1	0.43
73	3001-0073	O-Ring (19.8X2.4)	1	0.64
74	3001-0074	Air Inlet (3/8"-18 NPSM)	1	10.57
75	3001-0075	Rubber Spacer	1	4.51
76	3001-0076	Steel Ball (5/8")	1	2.40
77	3001-0077	Spring	1	4.85
78	3001-0078	O-Ring (19.5X1.5)	1	0.59
79	3001-0079	Spring Seat	1	6.88
80	133463	Screw (M6x30-Left)	1	1.51
81	133464	Screw (M6x20-Left)	1	1.47
82	133419	Flange-2	1	3.70
83	OPTIONAL	5" / 6" Curve Cutting Blade		
84	DEE006	Alpha® 6" Eclipse II	1	59.33
85	133432	Flange-3	1	3.70
86	133769	Flange-1	1	3.70
88	3001-0081	Combination Wrench (9mm)	1	8.54
89	3001-0082	Open End Wrench (22mm)	1	3.28
90	3001-0083	Hex. Wrench (5mm)	1	0.77
91	AIR-008	Rust Inhibitor Oil 8Oz (237ml)	1	9.90
92	1030-0030	Water Hose Assembly (15ft / 4.5m)	1	31.65
93	1030-0031	Air Hose Assembly (15ft / 4.5m)	1	44.26
OPTIONAL	3001-0084	Reduced Flow Inlet Fitting		15.07