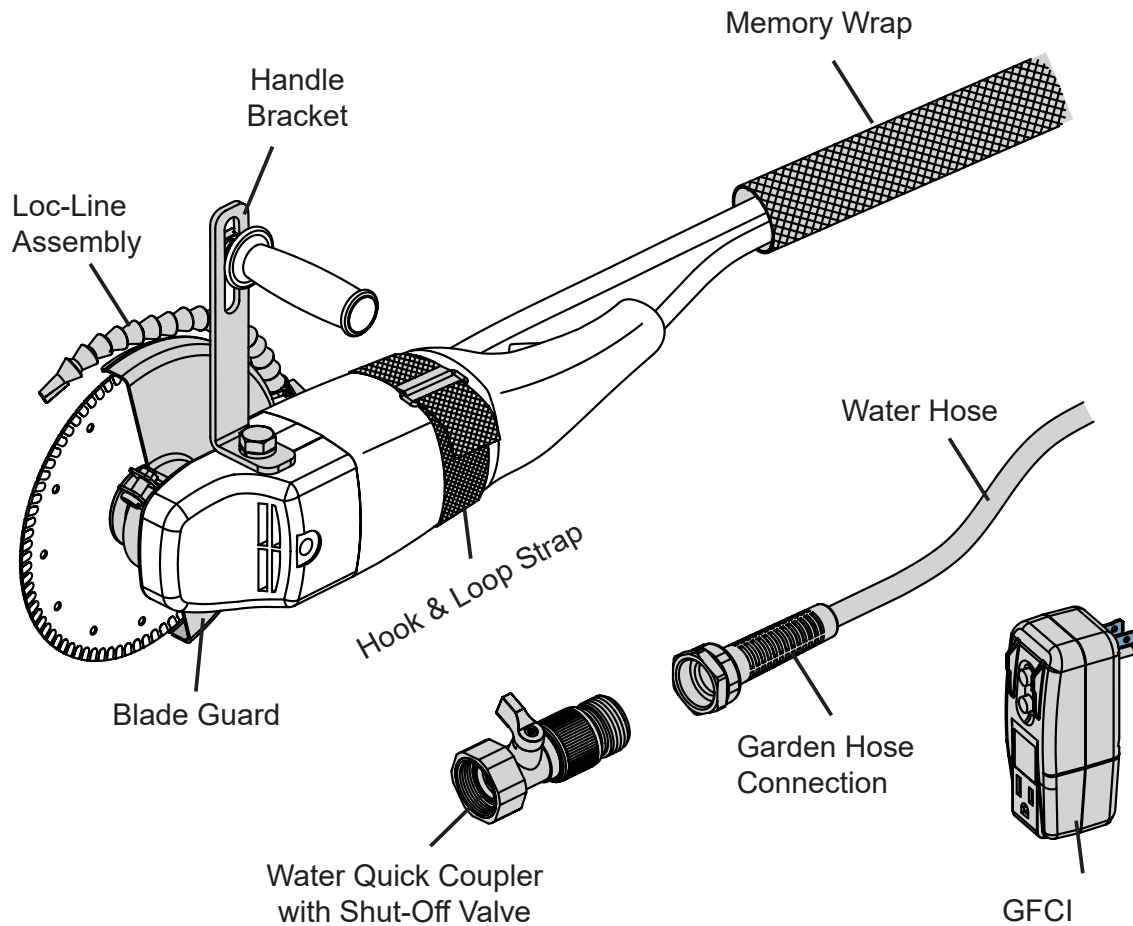


Alpha[®] Wet Blade Cutting Kit Parts List

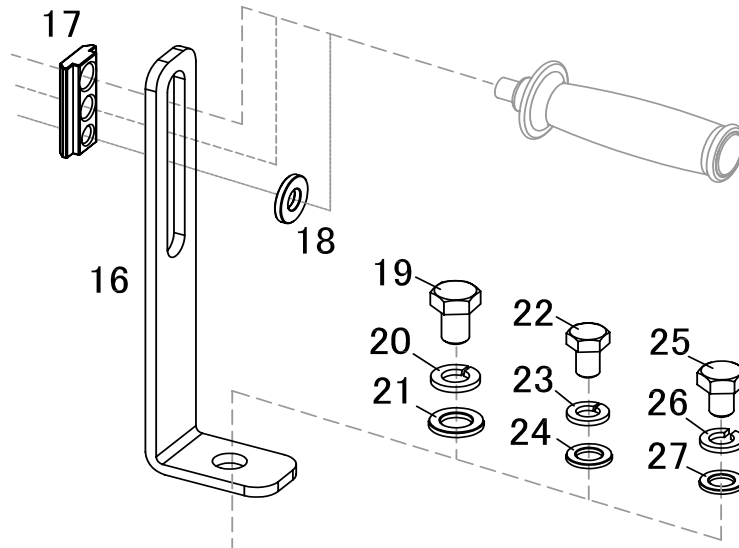
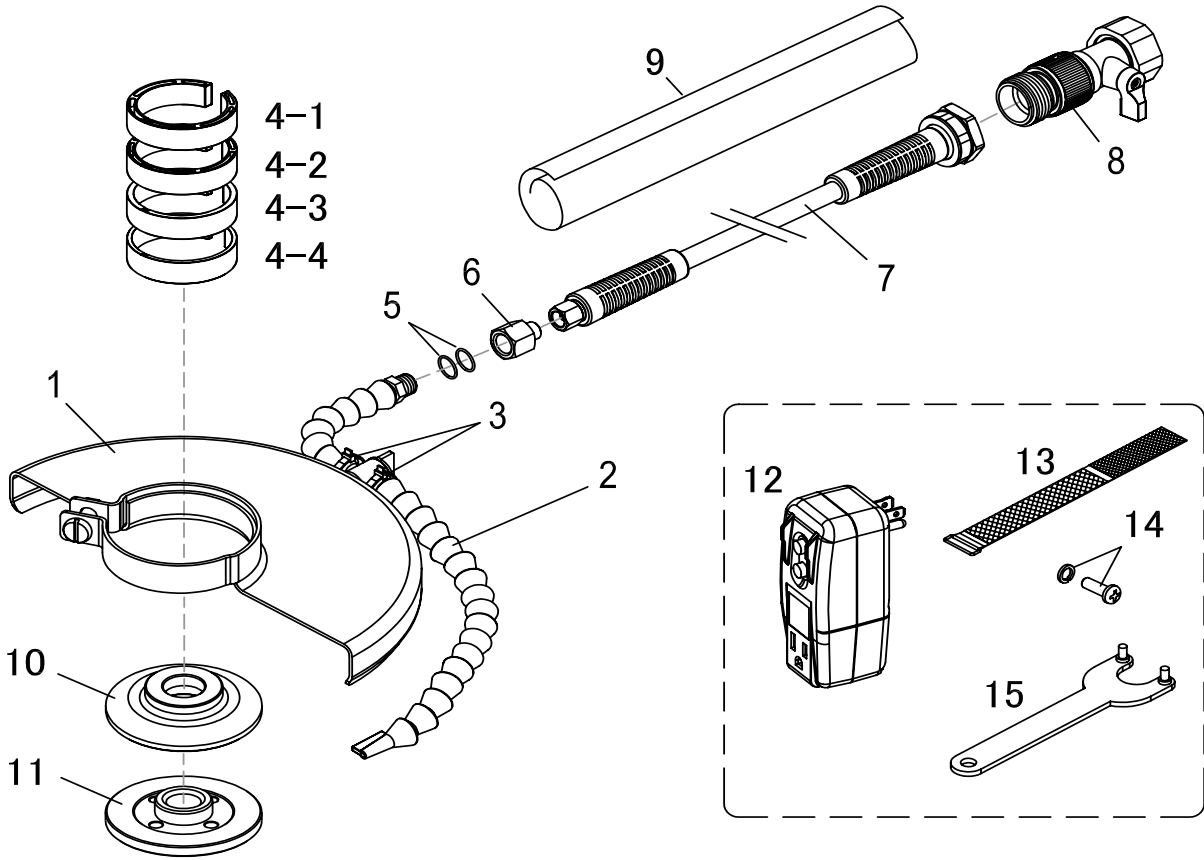


Part No: WBC9KIT
Version 03/2021

 **Alpha Professional Tools[®]**

103 Bauer Drive, Oakland, NJ 07436 • 800-648-7229 • Fax: 800-286-0114
www.alpha-tools.com

► WBC9KIT SCHEMATICS



► **WBC9KIT PARTS LIST**

Item No.	Part No.	Description	Quantity
1	133793	9" Safety Guard	1
2	133794	Loc-Line Assembly for 9"	1
3	PDH-CABLETIES	Plastic Tie	2
4-1	133795	Plastic Collar for DEWALT®	1
4-2	133796	Plastic Collar for HITACH®	1
4-3	133797	Plastic Collar for MAKITA®, FLEX® & METABO®	1
4-4	133798	Plastic Collar for MILWAUKEE®	1
5	133805	O-Ring	2
6	133780	Adapter (1/4 NPT>>>M10*P1.0)	1
7	210129	Water Hose Assembly	1
8	133773	Water Quick Connector with Shut Off Valve	1
9	210124	Memory Wrap (3ft. / 1M)	1
10	200501	Inner Flange (60mm)	1
11	200502	Lock Nut (60mm)	1
12	GFCI-1	GFCI Plug (120V)	1
13	133799	Hook & Loop Strap	1
14	133800	Screw w/Spring Lock Washer	1
15	210105	Pin Wrench (P30)	1
16	200503	Handle Bracket	1
17	200504	Sliding Nut	1
18	200505	Washer	1
19	133806	Hex. Bolt (M14xL20)	1
20	133807	Spring Lock Washer (M14)	1
21	133808	Flat Washer (M14)	1
22	133809	Hex. Bolt (M12xL20)	1
23	133810	Spring Lock Washer (M12)	1
24	133811	Flat Washer (M12)	1
25	133812	Hex. Bolt (3/8"xL7/8")	1
26	133813	Spring Lock Washer (3/8")	1
27	133814	Flat Washer (3/8")	1



103 Bauer Drive, Oakland, NJ 07436 • 800-648-7229 • Fax: 800-286-0114
www.alpha-tools.com

Copyright © 2021 Alpha Professional Tools. All rights reserved.