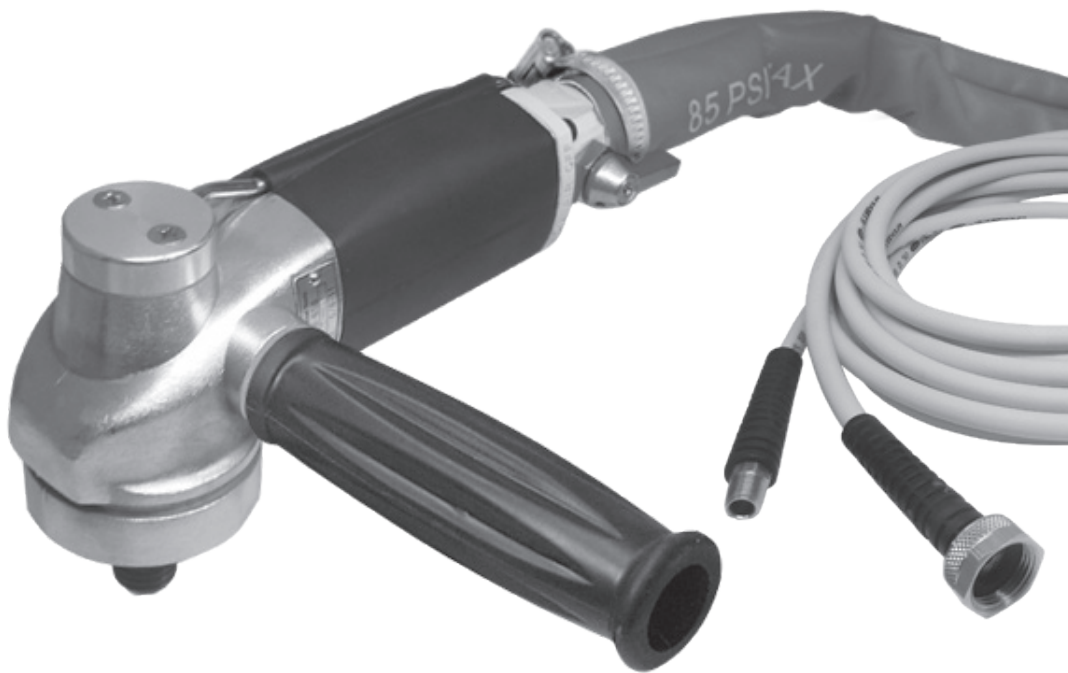


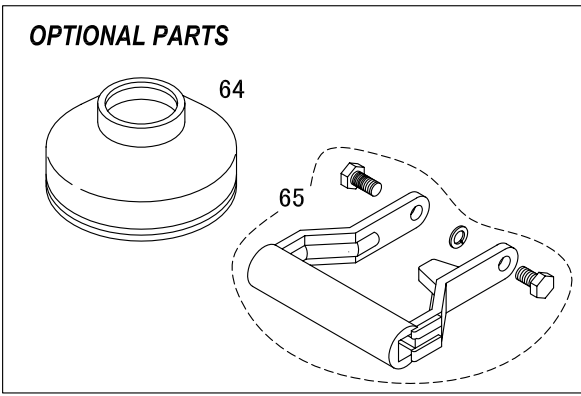
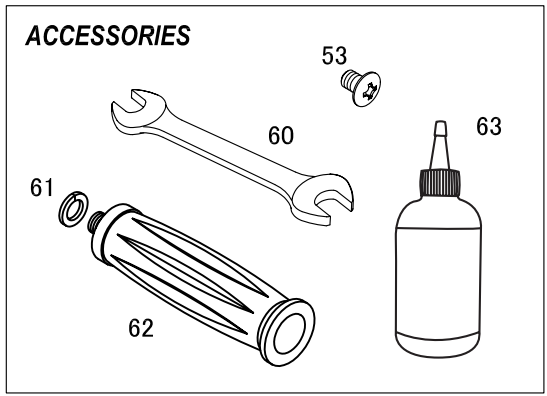
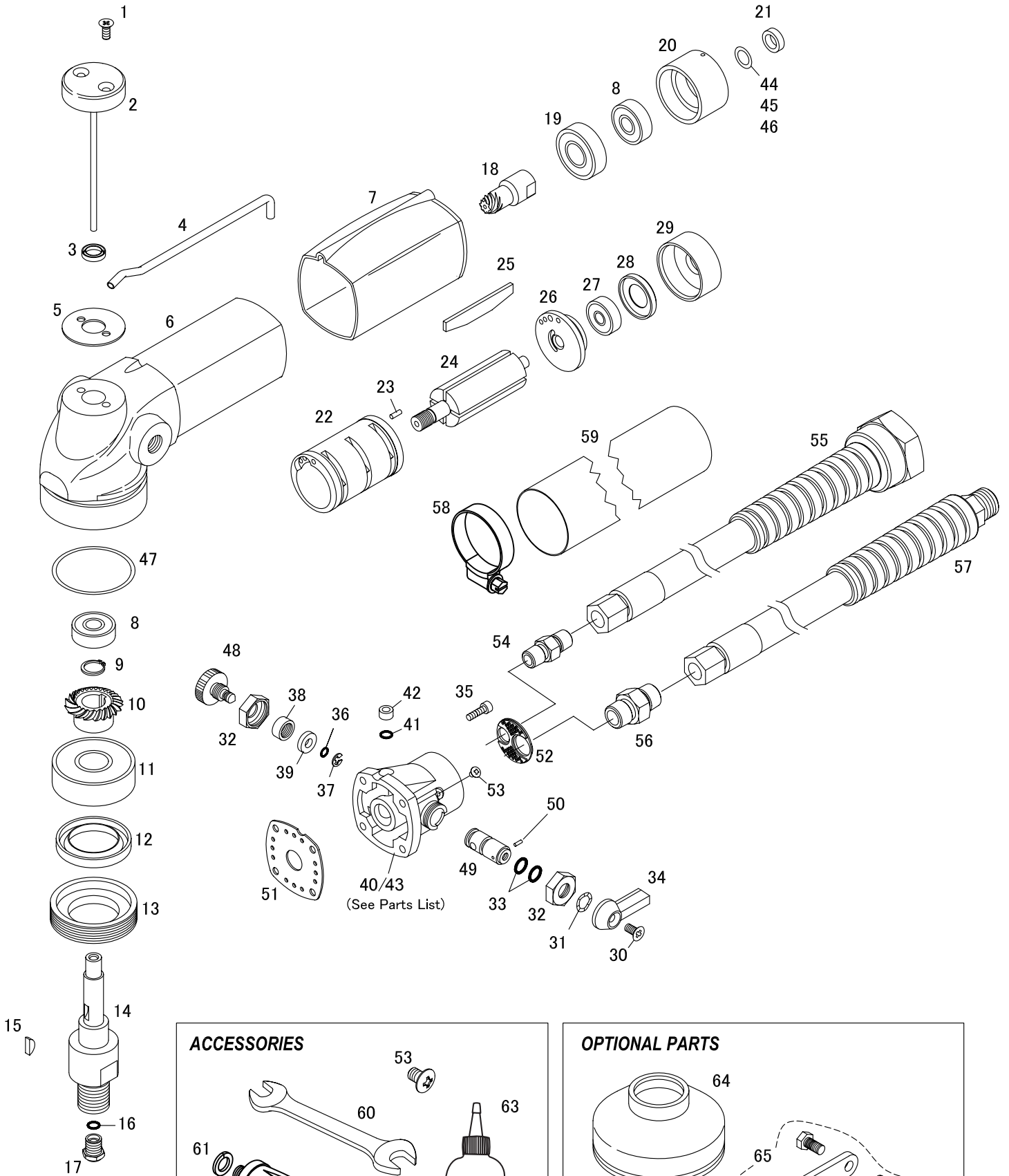
# **Alpha<sup>®</sup> AIR-680 Pneumatic Air Polisher**

## **Parts List and Schematic**



**Part No: AIR-680  
VERSION 3**

**► ALPHA® AIR-680 PNEUMATIC AIR POLISER SCHEMATIC (VERSION 2)**



► ALPHA® AIR-680 PNEUMATIC AIR POLISHER PARTS LIST (VERSION 3)

DRAWING NO.	PART NO.	DESCRIPTION	PRICE
1	658-01	Screw M4x10	1.63
2	658-92	Pipe-Joint Assembly	28.94
3	516-44	Oil Seal	6.28
4	658-09	W-pipe	6.86
5	658-10	Head Packing	1.71
6	658-11	Body	78.58
7	658-12	Body Cover	17.13
8	516-20	Ball Bearing 608ZZ	7.85
9	658-16	Snap Ring	1.71
10	658-17	Spiral Bevel Gear	41.14
11	516-48	Bearing 6302ZZ	11.44
12	516-49	Oil Seal	6.28
13	516-50	44 Nut	15.74
14	658-93	Spindle 5/8"-11 Thread	64.35
15	658-22	Woodruff Key	2.05
16	658-23	O-Ring (1.7mm x 2.75mm)	1.71
17	658-24	Spray Nozzle	8.58
18	658-25	Spiral Bevel Pinion	20.55
19	516-18	Ball Bearing 6001ZZ	7.85
20	658-28	F-Bearing Case	20.55
21	658-29	Rotor Spacer	3.42
22	658-30	Cylinder (inc. Part No. 658-31)	102.82
23	658-31	Spring Pin	1.71
24	658-32	Rotor	41.14
25	516-25	Vanes (4pc set)	25.12
26	516-26	R-Bearing Case	31.45
27	516-27	Bearing 626ZZ	7.85
28	516-28	Bearing Cap	4.72
29	658-37	Air Inlet Case	5.14
30	658-43	Screw M4x12	1.63
31	658-45	Wave Washer	2.07
32	658-46	Nut M14	8.1
33	658-47	O-Ring (1.7mm x 6.75mm)	2.53
34	658-50	Valve Lever	20.55
35	658-51	Screw M4x15	1.89
36	658-64	O-Ring (1.0mm x 3.0mm)	1.69
37	658-65	Retaining Ring E-Style	2.04
38	658-66	Nut M8	5.13

► ALPHA® AIR-680 PNEUMATIC AIR POLISHER PARTS LIST (VERSION 3)

DRAWING NO.	PART NO.	DESCRIPTION	PRICE
39	658-67	Washer 05	3.4
40	658-94	Endcase Assembly (inc. Part No. 658-72, 73, 91)	77.14
41	658-72	O-Ring (1.9mm x 3.8mm)	1.58
42	658-73	Bushing 07	2.44
43	658-96	Complete Endcase Assembly	139.43
44	658-80	Shim (0.10mm)	0.9
45	658-81	Shim (0.03mm)	0.9
46	658-82	Shim (0.05mm)	0.9
47	658-84	Shim (0.20mm)	2.24
48	658-86	Water Valve	20.54
49	658-87	A-Valve (inc. Part No. 658-88)	23.69
50	658-88	Needle Pin	1.84
51	658-89	Body Gasket (req. Part No. 658-90)	5.15
52	658-90	Silencer (req. Part No. 658-89)	10.33
53	658-91	Screw (w/O-Ring Seal (1pc in tool + 1 spare))	2.04
54	1030-1020	Male Union for Water Hose Fitting	3.74
55	1030-0003	Water Hose Assembly (15ft / 4.5m)	29.64
56	1030-1021	Male Union for Air Hose Fitting	4.44
57	1030-0002	Air Hose Assembly (15ft / 4.5m)	26.01
58	1030-1101	Hose Clamp	3.85
59	658-95	Exhaust Hose	14.58
60	1030-1103	Double Open End Wrench (19mm/22mm)	12.54
61	658-13	Spring Washer M10	1.71
62	658-14	Side Handle	17.13
63	AIR-008	Rust Inhibitor Oil (8oz / 237ml)	10.25
64	AWP-01	Rubber Splash Guard	4.02
65	AWP-21A	C-Shaped Handle	25.87