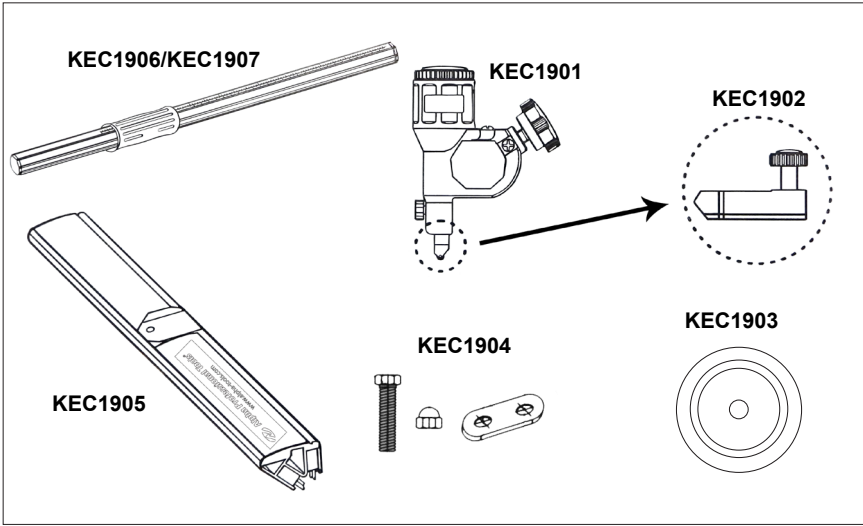


REPLACEMENT PARTS



PART NO.	DESCRIPTION
KEC1901	Cutting Head Holder
KEC1902	Cutting Head
KEC1903	Guide Roller
KEC1904	Assembly Hardware
KEC1905	Roller Housing
KEC1906	Scaled Bar (24")
KEC1907	Scaled Bar (60")
KOC1000	EZ Cutter Oil