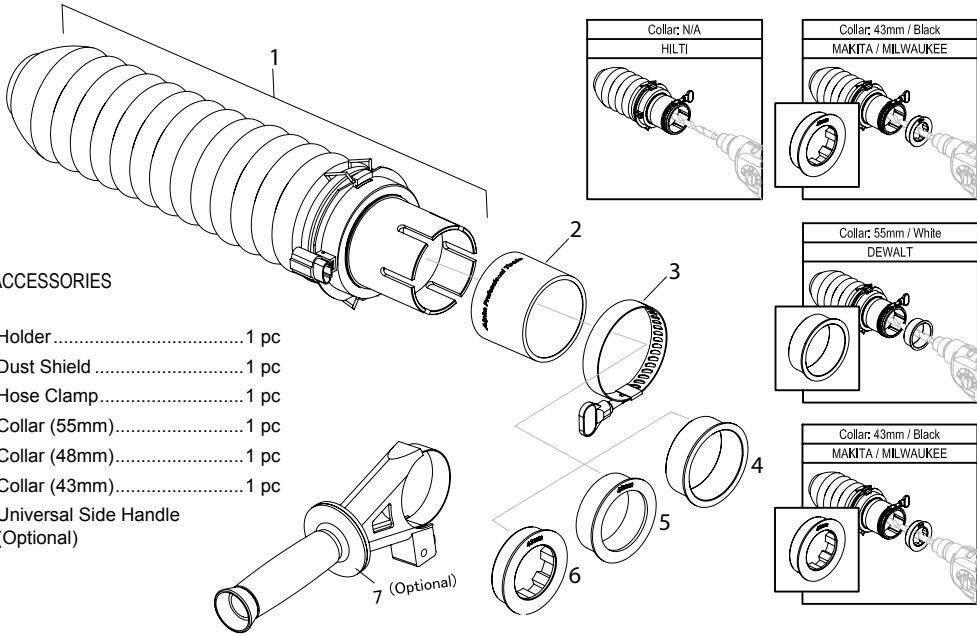


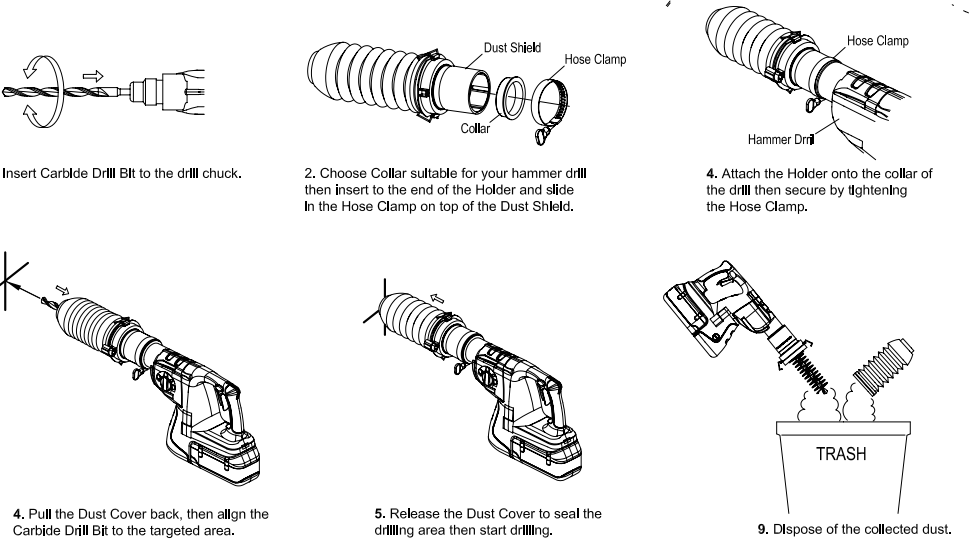
# ECOGUARD TYPE D OVERVIEW

## ► ACCESSORIES

- 1. Holder ..... 1 pc
- 2. Dust Shield ..... 1 pc
- 3. Hose Clamp ..... 1 pc
- 4. Collar (55mm) ..... 1 pc
- 5. Collar (48mm) ..... 1 pc
- 6. Collar (43mm) ..... 1 pc
- 7. Universal Side Handle (Optional)



## INSTALLING THE DUST COLLECTION COVER



1. Insert Carbide Drill Bit to the drill chuck.

2. Choose Collar suitable for your hammer drill then insert to the end of the Holder and slide in the Hose Clamp on top of the Dust Shield.

4. Attach the Holder onto the collar of the drill then secure by tightening the Hose Clamp.

4. Pull the Dust Cover back, then align the Carbide Drill Bit to the targeted area.

5. Release the Dust Cover to seal the drilling area then start drilling.

9. Dispose of the collected dust.