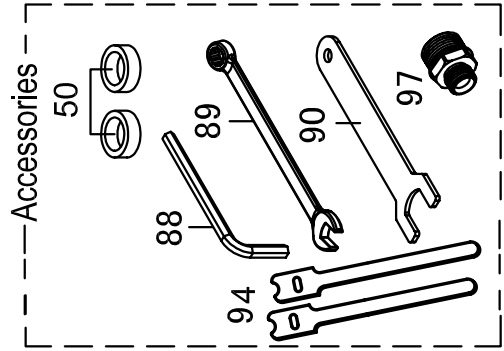
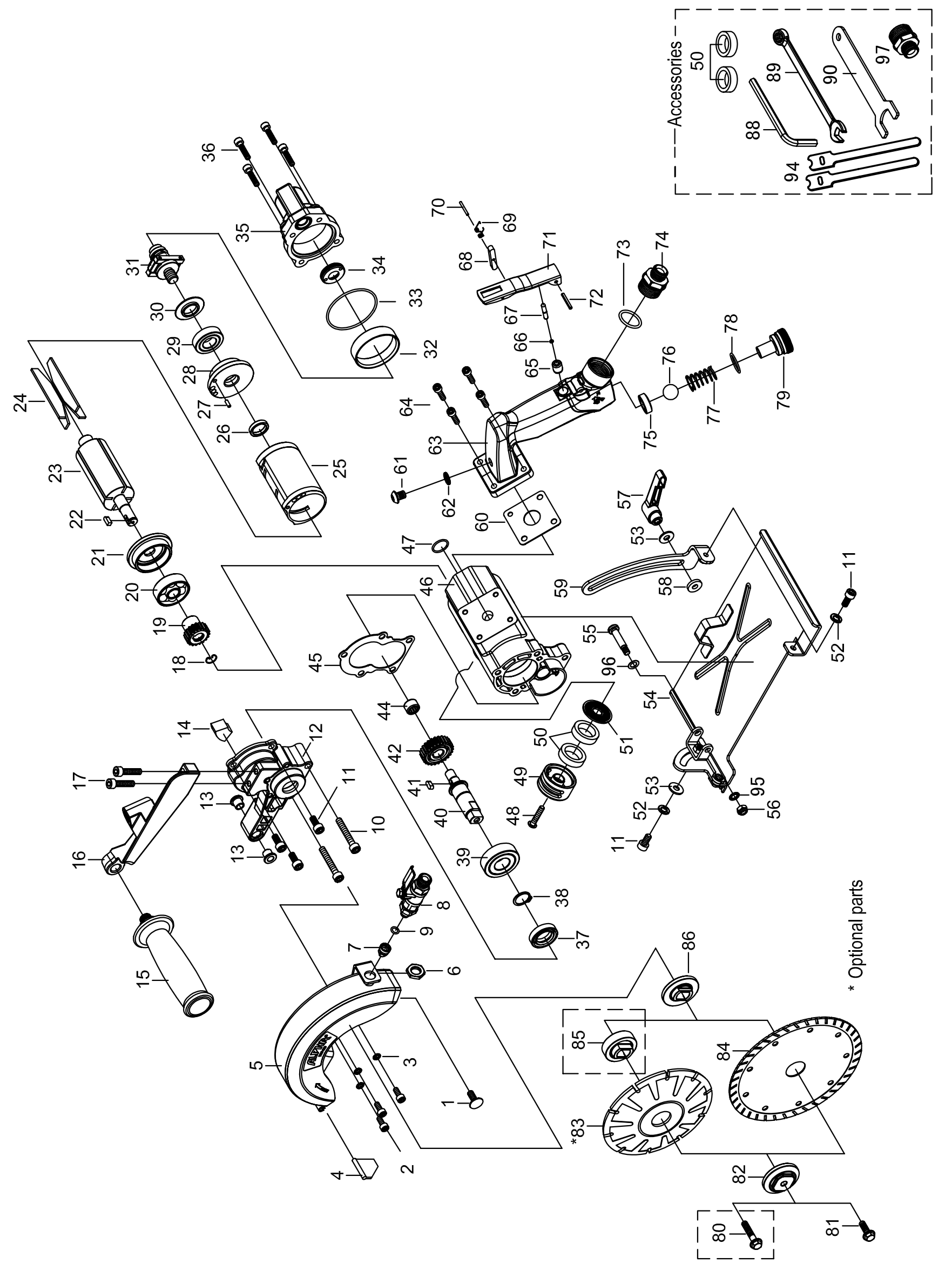
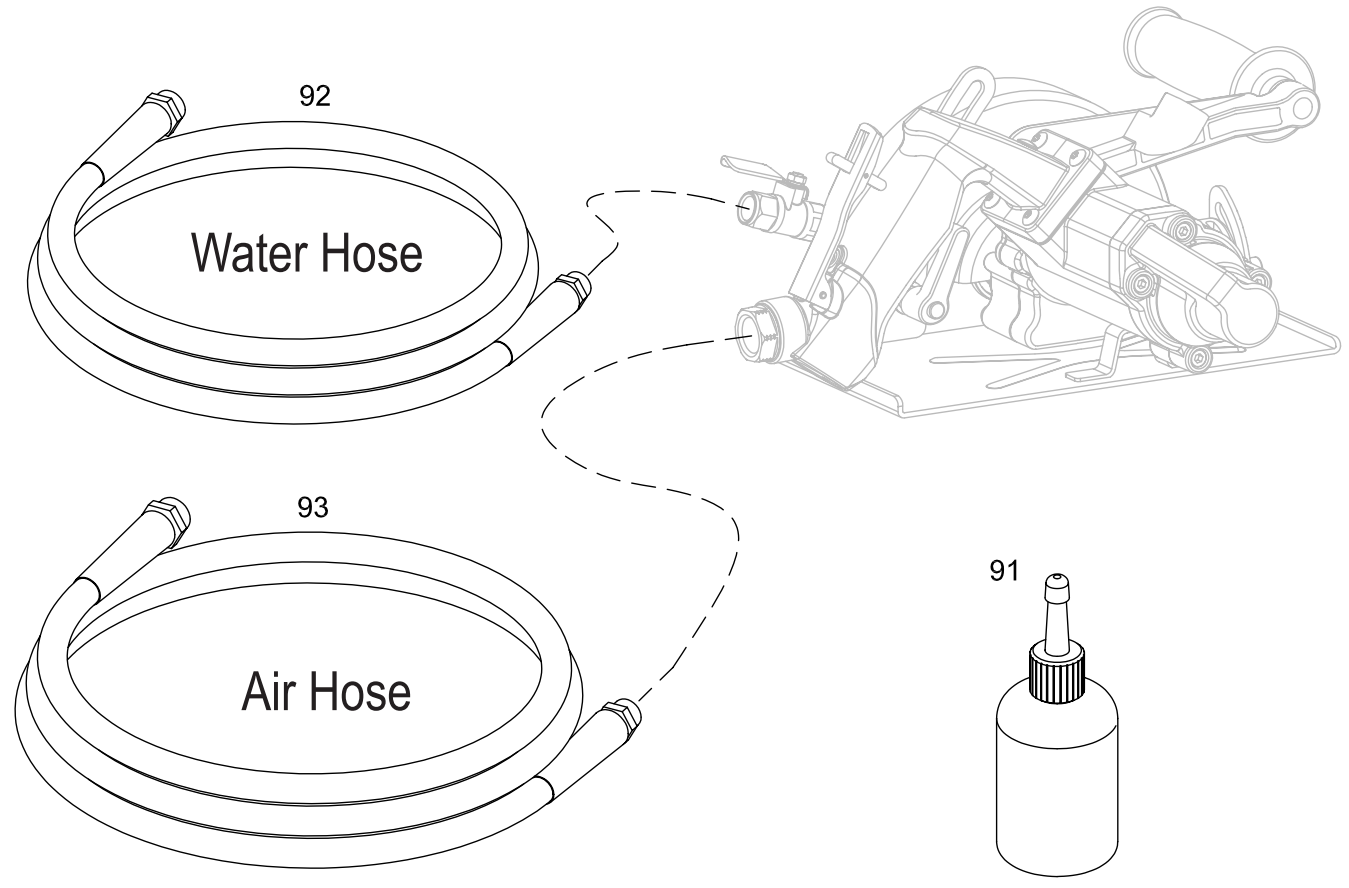


# ALPHA® PSC-150 6" PNEUMATIC STONE CUTTER SCHEMATIC



\* Optional parts